

Spare parts list

Bosch Rexroth AG
Service Hydraulics
Glockeraustrasse 4
89275 Elchingen
Germany
+49 (0)7308/82-2126

Part No.: R902028951
Drawing no.: R902138371
Designation: A2FO28/61L-NZB05

Status of version: 5/2017

Date: 01.08.2019
Page: 1

Pos.	Part No.	Designation	Quantity	
1	R902030828	ROTARY GROUP	1 ST	L
3	R902042266	HOUSING	1 ST	
4	R909422517	PORT PLATE	1 ST	
5	R909087018	CYLINDER PIN	1 ST	
6	R909086572	O-RING	1 ST	D
7	R909083036	SOCKET-HEAD SCREW	2 ST	
10	R909083044	SOCKET-HEAD SCREW	4 ST	
18	R909153364	LOCKING SCREW	1 ST	D
19	R909153816	LOCKING SCREW	1 ST	D
31	R902138436	COVER, COMPLETE	1 ST	L
98	R902002215	SEAL KIT,COMPLETE	1 ST	

L = Assembly group D = Sealing element

Security notice

Assembly, commissioning and operation, disassembly, service (including maintenance and repair) require basic mechanical/electrical/hydraulic/pneumatic knowledge, as well as knowledge of the appropriate technical terms. In order to ensure operating safety, these activities may therefore only be carried out by qualified technical personnel or an instructed person under the direction and supervision of qualified personnel. Qualified personnel are those who can recognize possible hazards and institute the appropriate safety measures due to their professional training, knowledge, and experience, as well as their understanding of the relevant conditions pertaining to the work to be done. Qualified personnel must observe the rules relevant to the subject area. Also observe the generally applicable, legal or otherwise binding regulations of the European or national legislation and the rules for the prevention of accidents and for environmental protection applicable in your country. The data specified above only serve to describe the product. No statements concerning a certain condition or suitability for a certain application can be derived from our information. The given information does not release the user from the obligation of own judgement and verification. It must be remembered that our products are subject to a natural process of wear and aging.

©This document, as well as the data, specifications and other information set forth in it, are the exclusive property of Bosch Rexroth AG. Without their consent it may not be reproduced or given to third parties.

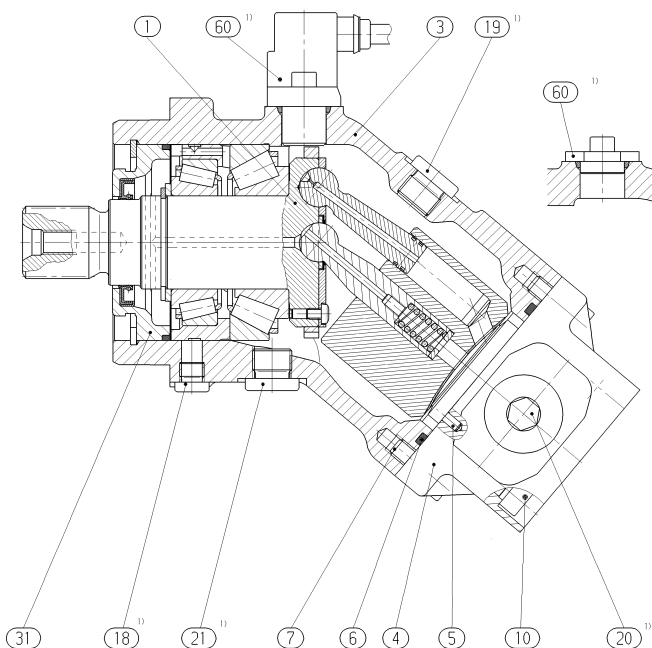
Spare parts list

Part No.: R902028951
 Drawing no.: R902138371
 Designation: A2FO28/61L-NZB05

Bosch Rexroth AG
 Service Hydraulics
 Glockeraustrasse 4
 89275 Elchingen
 Germany
 +49 (0)7308/82-2126

Status of version: 5/2017

Date: 01.08.2019
 Page: 2



¹⁾ teilweise nach Stückliste montiert.
 ALTERNATIVELY ASSEMBLING AFTER PART LIST

L = Assembly group D = Sealing element

Security notice

Assembly, commissioning and operation, disassembly, service (including maintenance and repair) require basic mechanical/electrical/hydraulic/pneumatic knowledge, as well as knowledge of the appropriate technical terms. In order to ensure operating safety, these activities may therefore only be carried out by qualified technical personnel or an instructed person under the direction and supervision of qualified personnel. Qualified personnel are those who can recognize possible hazards and institute the appropriate safety measures due to their professional training, knowledge, and experience, as well as their understanding of the relevant conditions pertaining to the work to be done. Qualified personnel must observe the rules relevant to the subject area. Also observe the generally applicable, legal or otherwise binding regulations of the European or national legislation and the rules for the prevention of accidents and for environmental protection applicable in your country. The data specified above only serve to describe the product. No statements concerning a certain condition or suitability for a certain application can be derived from our information. The given information does not release the user from the obligation of own judgement and verification. It must be remembered that our products are subject to a natural process of wear and aging.

©This document, as well as the data, specifications and other information set forth in it, are the exclusive property of Bosch Rexroth AG. Without their consent it may not be reproduced or given to third parties.

Spare parts listBosch Rexroth AG
Service Hydraulics
Glockeraustrasse 4
89275 Elchingen
Germany
+49 (0)7308/82-2126Part No.: R902030828
Drawing no.: R902138375
Designation: ROTARY GROUP

Status of version: 5/2017

Date: 01.08.2019**Page: 3**

Pos.	Part No.	Designation	Quantity	
1	R902028986	ROTARY GROUP, HYDR. SECTION	1 ST	L
2	R902030591	DRIVE SHAFT WITH BEARING ASSY	1 ST	L

L = Assembly group D = Sealing element

Security notice

Assembly, commissioning and operation, disassembly, service (including maintenance and repair) require basic mechanical/electrical/hydraulic/pneumatic knowledge, as well as knowledge of the appropriate technical terms. In order to ensure operating safety, these activities may therefore only be carried out by qualified technical personnel or an instructed person under the direction and supervision of qualified personnel. Qualified personnel are those who can recognize possible hazards and institute the appropriate safety measures due to their professional training, knowledge, and experience, as well as their understanding of the relevant conditions pertaining to the work to be done. Qualified personnel must observe the rules relevant to the subject area. Also observe the generally applicable, legal or otherwise binding regulations of the European or national legislation and the rules for the prevention of accidents and for environmental protection applicable in your country. The data specified above only serve to describe the product. No statements concerning a certain condition or suitability for a certain application can be derived from our information. The given information does not release the user from the obligation of own judgement and verification. It must be remembered that our products are subject to a natural process of wear and aging.

©This document, as well as the data, specifications and other information set forth in it, are the exclusive property of Bosch Rexroth AG. Without their consent it may not be reproduced or given to third parties.

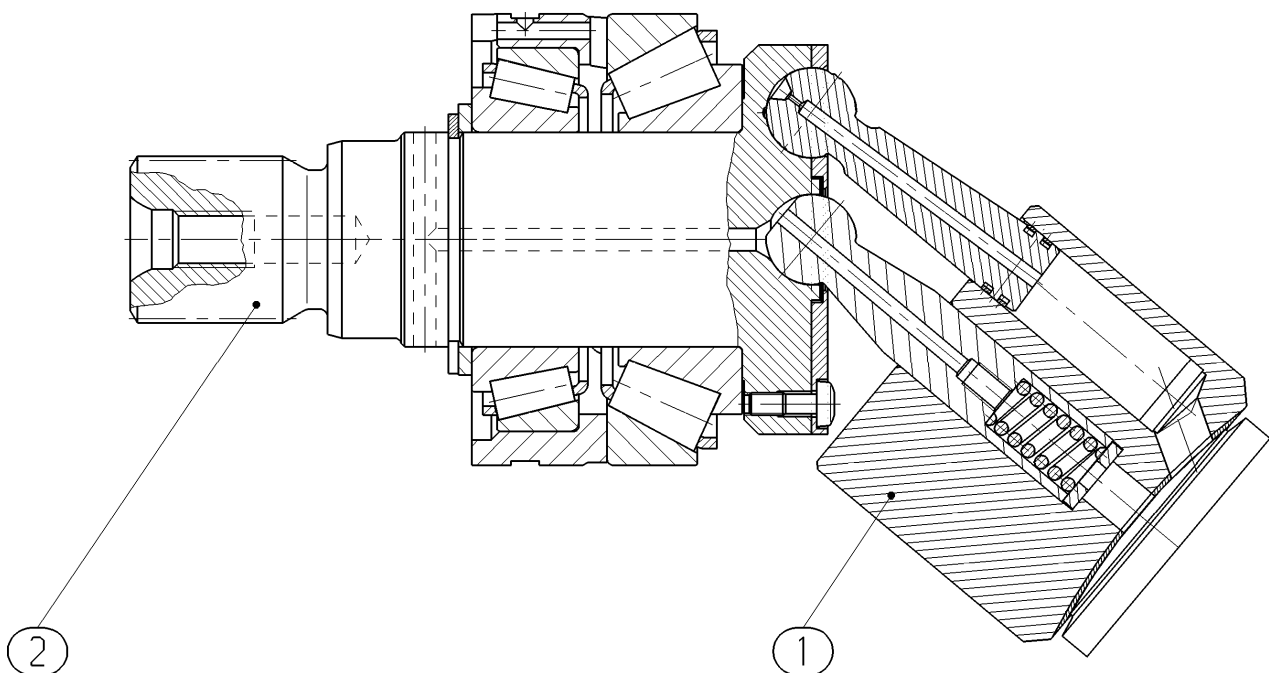
Spare parts list

Part No.: R902030828
Drawing no.: R902138375
Designation: ROTARY GROUP

Bosch Rexroth AG
Service Hydraulics
Glockeraustrasse 4
89275 Elchingen
Germany
+49 (0)7308/82-2126

Status of version: 5/2017

Date: 01.08.2019
Page: 4



L = Assembly group D = Sealing element

Security notice

Assembly, commissioning and operation, disassembly, service (including maintenance and repair) require basic mechanical/electrical/hydraulic/pneumatic knowledge, as well as knowledge of the appropriate technical terms. In order to ensure operating safety, these activities may therefore only be carried out by qualified technical personnel or an instructed person under the direction and supervision of qualified personnel. Qualified personnel are those who can recognize possible hazards and institute the appropriate safety measures due to their professional training, knowledge, and experience, as well as their understanding of the relevant conditions pertaining to the work to be done. Qualified personnel must observe the rules relevant to the subject area. Also observe the generally applicable, legal or otherwise binding regulations of the European or national legislation and the rules for the prevention of accidents and for environmental protection applicable in your country. The data specified above only serve to describe the product. No statements concerning a certain condition or suitability for a certain application can be derived from our information. The given information does not release the user from the obligation of own judgement and verification. It must be remembered that our products are subject to a natural process of wear and aging.

©This document, as well as the data, specifications and other information set forth in it, are the exclusive property of Bosch Rexroth AG. Without their consent it may not be reproduced or given to third parties.

Spare parts list

Bosch Rexroth AG
Service Hydraulics
Glockeraustrasse 4
89275 Elchingen
Germany
+49 (0)7308/82-2126

Part No.: R902028986
Drawing no.: R902028744
Designation: ROTARY GROUP, HYDR. SECTION

Status of version: 5/2017

Date: 01.08.2019

Page: 5

Pos.	Part No.	Designation	Quantity	
1	R909421302	CYLINDER	1 ST	
2	R902016549	CONTROL PLATE,LEFT-HAND ROT.	1 ST	
3	R902027487	CENTER PIN	1 ST	
4	R902031671	PISTON WITH PISTON RINGS	7 ST	
5	R909410180	WASHER	1 ST	
6	R902096613	ADJUSTMENT SHIM	1 ST	L
7	R902027486	PRESSURE SPRING	1 ST	
11	R909444062	RETAINING PLATE	1 ST	
12	R902602776	PAN-HEAD SCREW	7 ST	

L = Assembly group D = Sealing element

Security notice

Assembly, commissioning and operation, disassembly, service (including maintenance and repair) require basic mechanical/electrical/hydraulic/pneumatic knowledge, as well as knowledge of the appropriate technical terms. In order to ensure operating safety, these activities may therefore only be carried out by qualified technical personnel or an instructed person under the direction and supervision of qualified personnel. Qualified personnel are those who can recognize possible hazards and institute the appropriate safety measures due to their professional training, knowledge, and experience, as well as their understanding of the relevant conditions pertaining to the work to be done. Qualified personnel must observe the rules relevant to the subject area. Also observe the generally applicable, legal or otherwise binding regulations of the European or national legislation and the rules for the prevention of accidents and for environmental protection applicable in your country. The data specified above only serve to describe the product. No statements concerning a certain condition or suitability for a certain application can be derived from our information. The given information does not release the user from the obligation of own judgement and verification. It must be remembered that our products are subject to a natural process of wear and aging.

©This document, as well as the data, specifications and other information set forth in it, are the exclusive property of Bosch Rexroth AG. Without their consent it may not be reproduced or given to third parties.

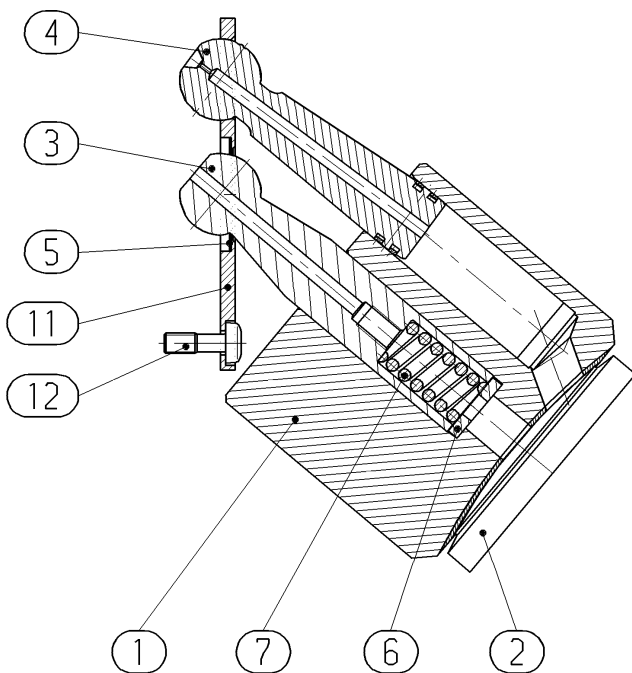
Spare parts list

Part No.: R902028986
 Drawing no.: R902028744
 Designation: ROTARY GROUP, HYDR. SECTION

Bosch Rexroth AG
 Service Hydraulics
 Glockeraustrasse 4
 89275 Elchingen
 Germany
 +49 (0)7308/82-2126

Status of version: 5/2017

Date: 01.08.2019
 Page: 6



L = Assembly group D = Sealing element

Security notice

Assembly, commissioning and operation, disassembly, service (including maintenance and repair) require basic mechanical/electrical/hydraulic/pneumatic knowledge, as well as knowledge of the appropriate technical terms. In order to ensure operating safety, these activities may therefore only be carried out by qualified technical personnel or an instructed person under the direction and supervision of qualified personnel. Qualified personnel are those who can recognize possible hazards and institute the appropriate safety measures due to their professional training, knowledge, and experience, as well as their understanding of the relevant conditions pertaining to the work to be done. Qualified personnel must observe the rules relevant to the subject area. Also observe the generally applicable, legal or otherwise binding regulations of the European or national legislation and the rules for the prevention of accidents and for environmental protection applicable in your country. The data specified above only serve to describe the product. No statements concerning a certain condition or suitability for a certain application can be derived from our information. The given information does not release the user from the obligation of own judgement and verification. It must be remembered that our products are subject to a natural process of wear and aging.

©This document, as well as the data, specifications and other information set forth in it, are the exclusive property of Bosch Rexroth AG. Without their consent it may not be reproduced or given to third parties.

Spare parts list

Part No.: R902096613
Designation: ADJUSTMENT SHIM

Bosch Rexroth AG
Service Hydraulics
Glockeraustrasse 4
89275 Elchingen
Germany
+49 (0)7308/82-2126

Status of version: 5/2017

Date: 01.08.2019

Page: 7

Pos.	Part No.	Designation	Quantity
1	R909651841	ADJUSTMENT SHIM	1 ST
2	R902096618	ADJUSTMENT SHIM	1 ST
3	R909651840	ADJUSTMENT SHIM	1 ST
4	R902096619	ADJUSTMENT SHIM	1 ST
5	R909651839	ADJUSTMENT SHIM	1 ST
6	R902096620	ADJUSTMENT SHIM	1 ST
7	R909651838	ADJUSTMENT SHIM	1 ST

L = Assembly group D = Sealing element

Security notice

Assembly, commissioning and operation, disassembly, service (including maintenance and repair) require basic mechanical/electrical/hydraulic/pneumatic knowledge, as well as knowledge of the appropriate technical terms. In order to ensure operating safety, these activities may therefore only be carried out by qualified technical personnel or an instructed person under the direction and supervision of qualified personnel. Qualified personnel are those who can recognize possible hazards and institute the appropriate safety measures due to their professional training, knowledge, and experience, as well as their understanding of the relevant conditions pertaining to the work to be done. Qualified personnel must observe the rules relevant to the subject area. Also observe the generally applicable, legal or otherwise binding regulations of the European or national legislation and the rules for the prevention of accidents and for environmental protection applicable in your country. The data specified above only serve to describe the product. No statements concerning a certain condition or suitability for a certain application can be derived from our information. The given information does not release the user from the obligation of own judgement and verification. It must be remembered that our products are subject to a natural process of wear and aging.

©This document, as well as the data, specifications and other information set forth in it, are the exclusive property of Bosch Rexroth AG. Without their consent it may not be reproduced or given to third parties.

Spare parts list

Bosch Rexroth AG
Service Hydraulics
Glockeraustrasse 4
89275 Elchingen
Germany
+49 (0)7308/82-2126

Part No.: R902030591
Drawing no.: R902028742
Designation: DRIVE SHAFT WITH BEARING ASSY

Status of version: 5/2017

Date: 01.08.2019

Page: 8

Pos.	Part No.	Designation	Quantity	
2	R902028920	DRIVE SHAFT	1 ST	
3	R909430763	BEARING RING	1 ST	
6	R902028743	BACK-UP PLATE	1 ST	L
7	R909151258	RETAINING RING	1 ST	
10	R909156261	TAPERED-ROLLER BEARING	1 ST	
11	R909156263	TAPERED-ROLLER BEARING	1 ST	

L = Assembly group D = Sealing element

Security notice

Assembly, commissioning and operation, disassembly, service (including maintenance and repair) require basic mechanical/electrical/hydraulic/pneumatic knowledge, as well as knowledge of the appropriate technical terms. In order to ensure operating safety, these activities may therefore only be carried out by qualified technical personnel or an instructed person under the direction and supervision of qualified personnel. Qualified personnel are those who can recognize possible hazards and institute the appropriate safety measures due to their professional training, knowledge, and experience, as well as their understanding of the relevant conditions pertaining to the work to be done. Qualified personnel must observe the rules relevant to the subject area. Also observe the generally applicable, legal or otherwise binding regulations of the European or national legislation and the rules for the prevention of accidents and for environmental protection applicable in your country. The data specified above only serve to describe the product. No statements concerning a certain condition or suitability for a certain application can be derived from our information. The given information does not release the user from the obligation of own judgement and verification. It must be remembered that our products are subject to a natural process of wear and aging.

©This document, as well as the data, specifications and other information set forth in it, are the exclusive property of Bosch Rexroth AG. Without their consent it may not be reproduced or given to third parties.

Spare parts list

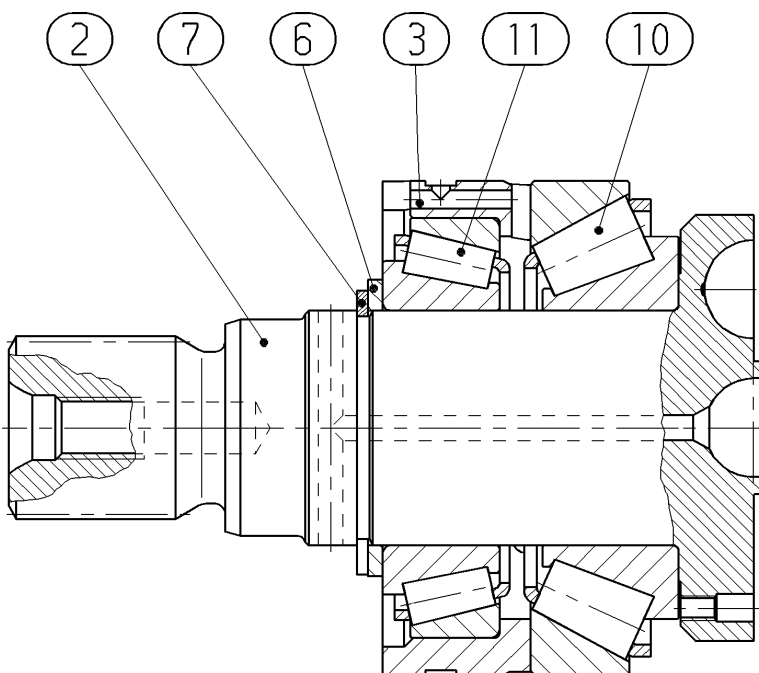
Part No.: R902030591
Drawing no.: R902028742
Designation: DRIVE SHAFT WITH BEARING ASSY

Bosch Rexroth AG
Service Hydraulics
Glockeraustrasse 4
89275 Elchingen
Germany
+49 (0)7308/82-2126

Status of version: 5/2017

Date: 01.08.2019

Page: 9



L = Assembly group D = Sealing element

Security notice

Assembly, commissioning and operation, disassembly, service (including maintenance and repair) require basic mechanical/electrical/hydraulic/pneumatic knowledge, as well as knowledge of the appropriate technical terms. In order to ensure operating safety, these activities may therefore only be carried out by qualified technical personnel or an instructed person under the direction and supervision of qualified personnel. Qualified personnel are those who can recognize possible hazards and institute the appropriate safety measures due to their professional training, knowledge, and experience, as well as their understanding of the relevant conditions pertaining to the work to be done. Qualified personnel must observe the rules relevant to the subject area. Also observe the generally applicable, legal or otherwise binding regulations of the European or national legislation and the rules for the prevention of accidents and for environmental protection applicable in your country. The data specified above only serve to describe the product. No statements concerning a certain condition or suitability for a certain application can be derived from our information. The given information does not release the user from the obligation of own judgement and verification. It must be remembered that our products are subject to a natural process of wear and aging.

©This document, as well as the data, specifications and other information set forth in it, are the exclusive property of Bosch Rexroth AG. Without their consent it may not be reproduced or given to third parties.

Spare parts list

Part No.: R902028743
Designation: BACK-UP PLATE

Bosch Rexroth AG
Service Hydraulics
Glockeraustrasse 4
89275 Elchingen
Germany
+49 (0)7308/82-2126

Status of version: 5/2017

Date: 01.08.2019

Page: 10

Pos.	Part No.	Designation	Quantity
1	R909651822	BACK-UP PLATE	1 ST
2	R909651823	BACK-UP PLATE	1 ST
3	R909651824	BACK-UP PLATE	1 ST
4	R909651825	BACK-UP PLATE	1 ST
5	R909651826	BACK-UP PLATE	1 ST
6	R909651827	BACK-UP PLATE	1 ST
7	R909651828	BACK-UP PLATE	1 ST
8	R909651829	BACK-UP PLATE	1 ST
9	R909651830	BACK-UP PLATE	1 ST
10	R909651831	BACK-UP PLATE	1 ST
11	R909651832	BACK-UP PLATE	1 ST
12	R909651833	BACK-UP PLATE	1 ST

L = Assembly group D = Sealing element

Security notice

Assembly, commissioning and operation, disassembly, service (including maintenance and repair) require basic mechanical/electrical/hydraulic/pneumatic knowledge, as well as knowledge of the appropriate technical terms. In order to ensure operating safety, these activities may therefore only be carried out by qualified technical personnel or an instructed person under the direction and supervision of qualified personnel. Qualified personnel are those who can recognize possible hazards and institute the appropriate safety measures due to their professional training, knowledge, and experience, as well as their understanding of the relevant conditions pertaining to the work to be done. Qualified personnel must observe the rules relevant to the subject area. Also observe the generally applicable, legal or otherwise binding regulations of the European or national legislation and the rules for the prevention of accidents and for environmental protection applicable in your country. The data specified above only serve to describe the product. No statements concerning a certain condition or suitability for a certain application can be derived from our information. The given information does not release the user from the obligation of own judgement and verification. It must be remembered that our products are subject to a natural process of wear and aging.

©This document, as well as the data, specifications and other information set forth in it, are the exclusive property of Bosch Rexroth AG. Without their consent it may not be reproduced or given to third parties.

Spare parts list

Bosch Rexroth AG
Service Hydraulics
Glockeraustrasse 4
89275 Elchingen
Germany
+49 (0)7308/82-2126

Part No.: R902138436
Drawing no.: R902257127
Designation: COVER, COMPLETE

Status of version: 5/2017

Date: 01.08.2019

Page: 11

Pos.	Part No.	Designation	Quantity	
1	R902119579	COVER WITH SHAFT SEAL RING	1 ST	L
2	R909083415	RETAINING RING	1 ST	
3	R909085567	O-RING	1 ST	D
4	R909085952	SHIM	1 ST	

L = Assembly group D = Sealing element

Security notice

Assembly, commissioning and operation, disassembly, service (including maintenance and repair) require basic mechanical/electrical/hydraulic/pneumatic knowledge, as well as knowledge of the appropriate technical terms. In order to ensure operating safety, these activities may therefore only be carried out by qualified technical personnel or an instructed person under the direction and supervision of qualified personnel. Qualified personnel are those who can recognize possible hazards and institute the appropriate safety measures due to their professional training, knowledge, and experience, as well as their understanding of the relevant conditions pertaining to the work to be done. Qualified personnel must observe the rules relevant to the subject area. Also observe the generally applicable, legal or otherwise binding regulations of the European or national legislation and the rules for the prevention of accidents and for environmental protection applicable in your country. The data specified above only serve to describe the product. No statements concerning a certain condition or suitability for a certain application can be derived from our information. The given information does not release the user from the obligation of own judgement and verification. It must be remembered that our products are subject to a natural process of wear and aging.

©This document, as well as the data, specifications and other information set forth in it, are the exclusive property of Bosch Rexroth AG. Without their consent it may not be reproduced or given to third parties.

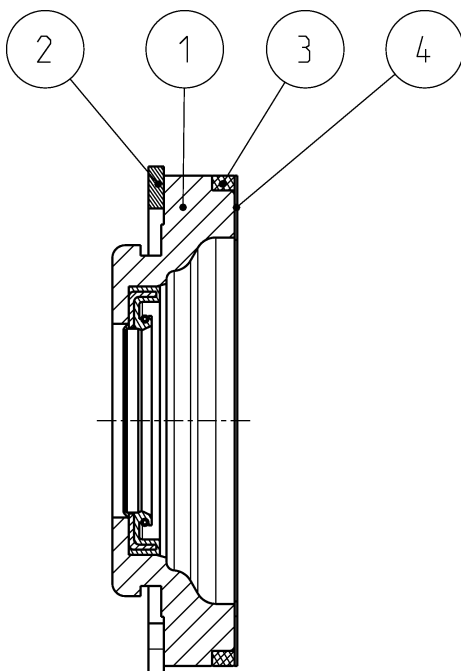
Spare parts list

Part No.: R902138436
Drawing no.: R902257127
Designation: COVER, COMPLETE

Bosch Rexroth AG
Service Hydraulics
Glockeraustrasse 4
89275 Elchingen
Germany
+49 (0)7308/82-2126

Status of version: 5/2017

Date: 01.08.2019
Page: 12



L = Assembly group D = Sealing element

Security notice

Assembly, commissioning and operation, disassembly, service (including maintenance and repair) require basic mechanical/electrical/hydraulic/pneumatic knowledge, as well as knowledge of the appropriate technical terms. In order to ensure operating safety, these activities may therefore only be carried out by qualified technical personnel or an instructed person under the direction and supervision of qualified personnel. Qualified personnel are those who can recognize possible hazards and institute the appropriate safety measures due to their professional training, knowledge, and experience, as well as their understanding of the relevant conditions pertaining to the work to be done. Qualified personnel must observe the rules relevant to the subject area. Also observe the generally applicable, legal or otherwise binding regulations of the European or national legislation and the rules for the prevention of accidents and for environmental protection applicable in your country. The data specified above only serve to describe the product. No statements concerning a certain condition or suitability for a certain application can be derived from our information. The given information does not release the user from the obligation of own judgement and verification. It must be remembered that our products are subject to a natural process of wear and aging.

©This document, as well as the data, specifications and other information set forth in it, are the exclusive property of Bosch Rexroth AG. Without their consent it may not be reproduced or given to third parties.

Spare parts list

Bosch Rexroth AG
Service Hydraulics
Glockeraustrasse 4
89275 Elchingen
Germany
+49 (0)7308/82-2126

Part No.: R902119579
Drawing no.: R902119274
Designation: COVER WITH SHAFT SEAL RING

Status of version: 5/2017

Date: 01.08.2019

Page: 13

Pos.	Part No.	Designation	Quantity	
1	R909651895	COVER	1 ST	D
2	R909831661	SHAFT SEAL RING	1 ST	D

L = Assembly group D = Sealing element

Security notice

Assembly, commissioning and operation, disassembly, service (including maintenance and repair) require basic mechanical/electrical/hydraulic/pneumatic knowledge, as well as knowledge of the appropriate technical terms. In order to ensure operating safety, these activities may therefore only be carried out by qualified technical personnel or an instructed person under the direction and supervision of qualified personnel. Qualified personnel are those who can recognize possible hazards and institute the appropriate safety measures due to their professional training, knowledge, and experience, as well as their understanding of the relevant conditions pertaining to the work to be done. Qualified personnel must observe the rules relevant to the subject area. Also observe the generally applicable, legal or otherwise binding regulations of the European or national legislation and the rules for the prevention of accidents and for environmental protection applicable in your country. The data specified above only serve to describe the product. No statements concerning a certain condition or suitability for a certain application can be derived from our information. The given information does not release the user from the obligation of own judgement and verification. It must be remembered that our products are subject to a natural process of wear and aging.

©This document, as well as the data, specifications and other information set forth in it, are the exclusive property of Bosch Rexroth AG. Without their consent it may not be reproduced or given to third parties.

Spare parts list

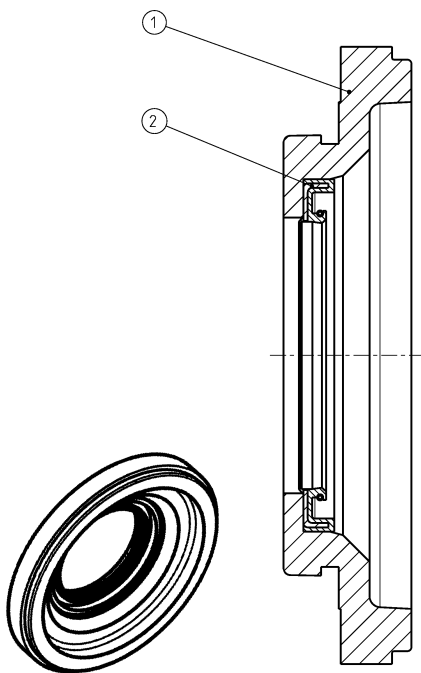
Part No.: R902119579
Drawing no.: R902119274
Designation: COVER WITH SHAFT SEAL RING

Bosch Rexroth AG
Service Hydraulics
Glockeraustrasse 4
89275 Elchingen
Germany
+49 (0)7308/82-2126

Status of version: 5/2017

Date: 01.08.2019

Page: 14



L = Assembly group D = Sealing element

Security notice

Assembly, commissioning and operation, disassembly, service (including maintenance and repair) require basic mechanical/electrical/hydraulic/pneumatic knowledge, as well as knowledge of the appropriate technical terms. In order to ensure operating safety, these activities may therefore only be carried out by qualified technical personnel or an instructed person under the direction and supervision of qualified personnel. Qualified personnel are those who can recognize possible hazards and institute the appropriate safety measures due to their professional training, knowledge, and experience, as well as their understanding of the relevant conditions pertaining to the work to be done. Qualified personnel must observe the rules relevant to the subject area. Also observe the generally applicable, legal or otherwise binding regulations of the European or national legislation and the rules for the prevention of accidents and for environmental protection applicable in your country. The data specified above only serve to describe the product. No statements concerning a certain condition or suitability for a certain application can be derived from our information. The given information does not release the user from the obligation of own judgement and verification. It must be remembered that our products are subject to a natural process of wear and aging.

©This document, as well as the data, specifications and other information set forth in it, are the exclusive property of Bosch Rexroth AG. Without their consent it may not be reproduced or given to third parties.