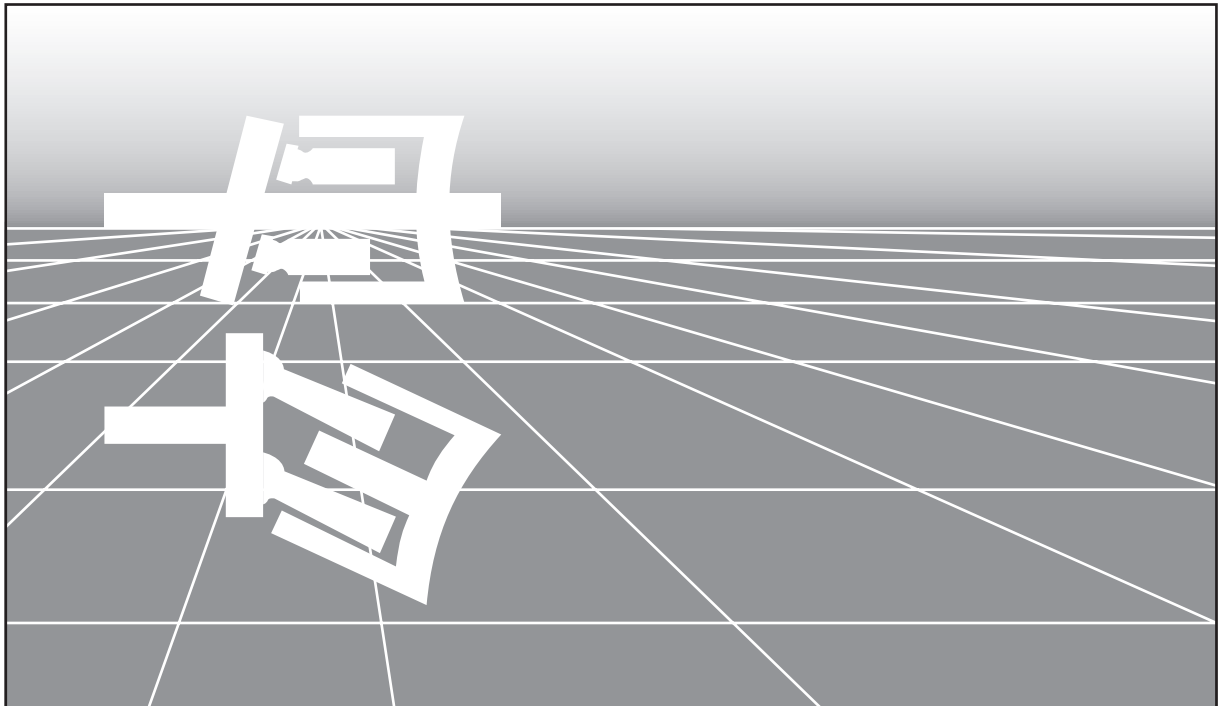


**Service Parts List**

**AA4V40**

Series 1



## Ordering of AA4V Parts

For Rexroth to supply the correct parts for your unit, please include all of the following information with your parts order.

TYPE CODE  
TYPE NUMBER  
SERIAL NUMBER  
PART NUMBER  
PART NAME

Due to modifications and improvements to our products, minor changes can occur to the parts, even though the type code may not necessarily reflect these changes. The type number and serial number will guarantee that the correct parts for your unit are supplied.

HYDROMATIK GMBH ULM (DONAU)		
THE REXROTH CORP., WOOSTER, OHIO		
TYPE AA4VG71HDD1/32R-PSF52F001D		
NO 245.18.43.23		
SERIAL NO. 1127809	YEAR 10.95	MINERAL OIL
MADE IN W. GERMANY		
ROTATION		

### ORDERING EXAMPLE

To order a replacement charge pump for an AA4V hydrostatic transmission pump having the above nameplate, the following information would be required.

+ Type Code	AA4V90HD1R30101
+ Type Number	233.22.15.23
+ Serial Number	1127809
* Part Number	5440-430-001
* Part Name	Charge Pump

+ This information is taken from the nameplate on the pump.

\* This information is taken from the Service Parts List.

Rotary Groups.....Page 6-9

Housing.....10-11

Stroking Piston.....12-13

Port Block.....14-15

HD Control.....16-17

HW Controls.....18-21

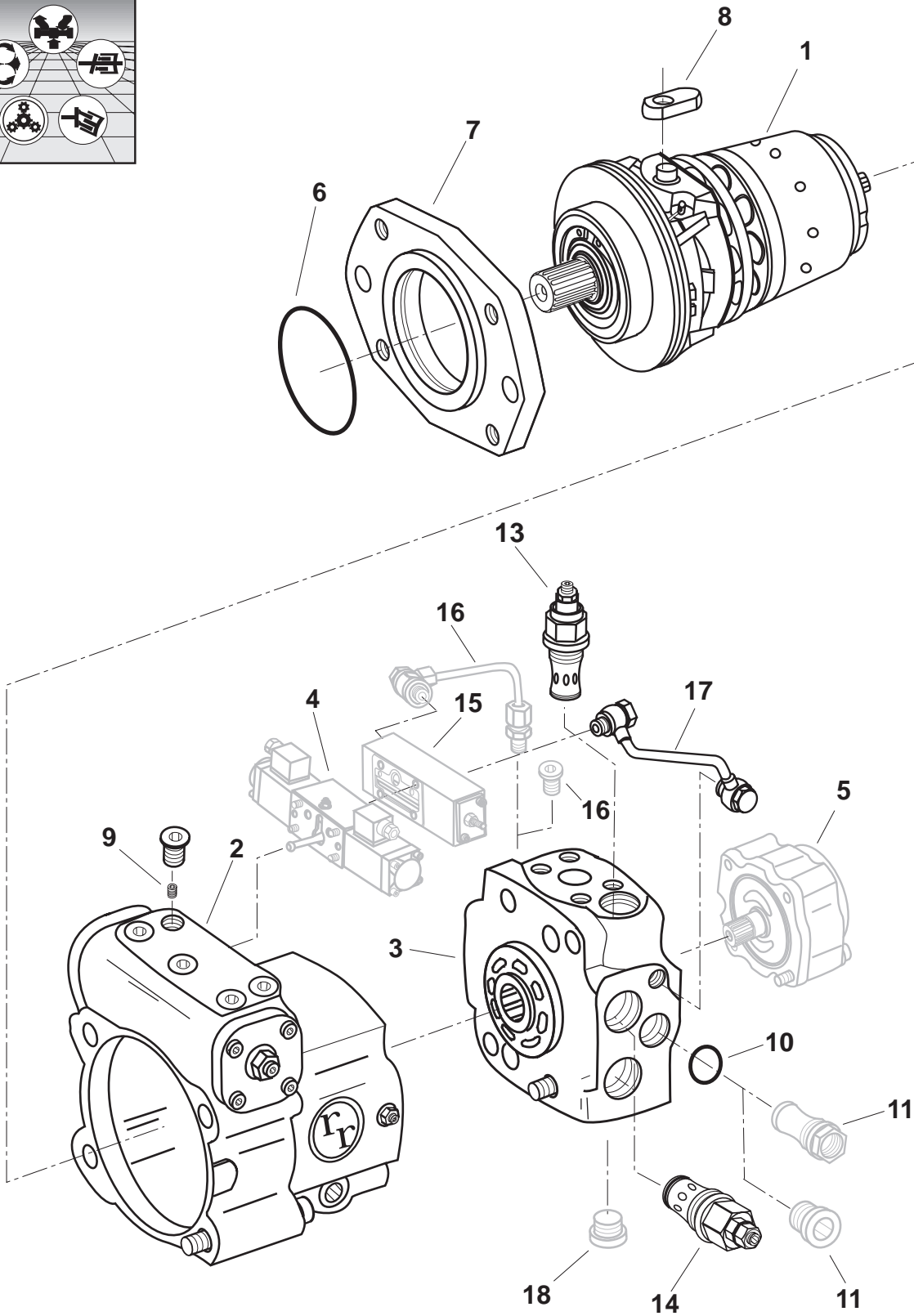
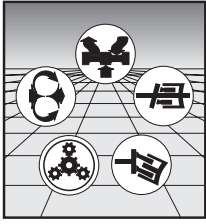
EL Controls.....22-25

Charge Pump.....26-27

Thru-Drives.....28-33

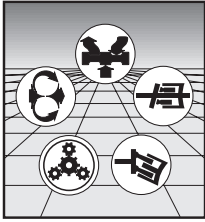
P.O.R.....34-35

[Back to Index](#)



Assembly Number  
**AA4V40**

**Back to Index**



# REXROTH CORPORATION

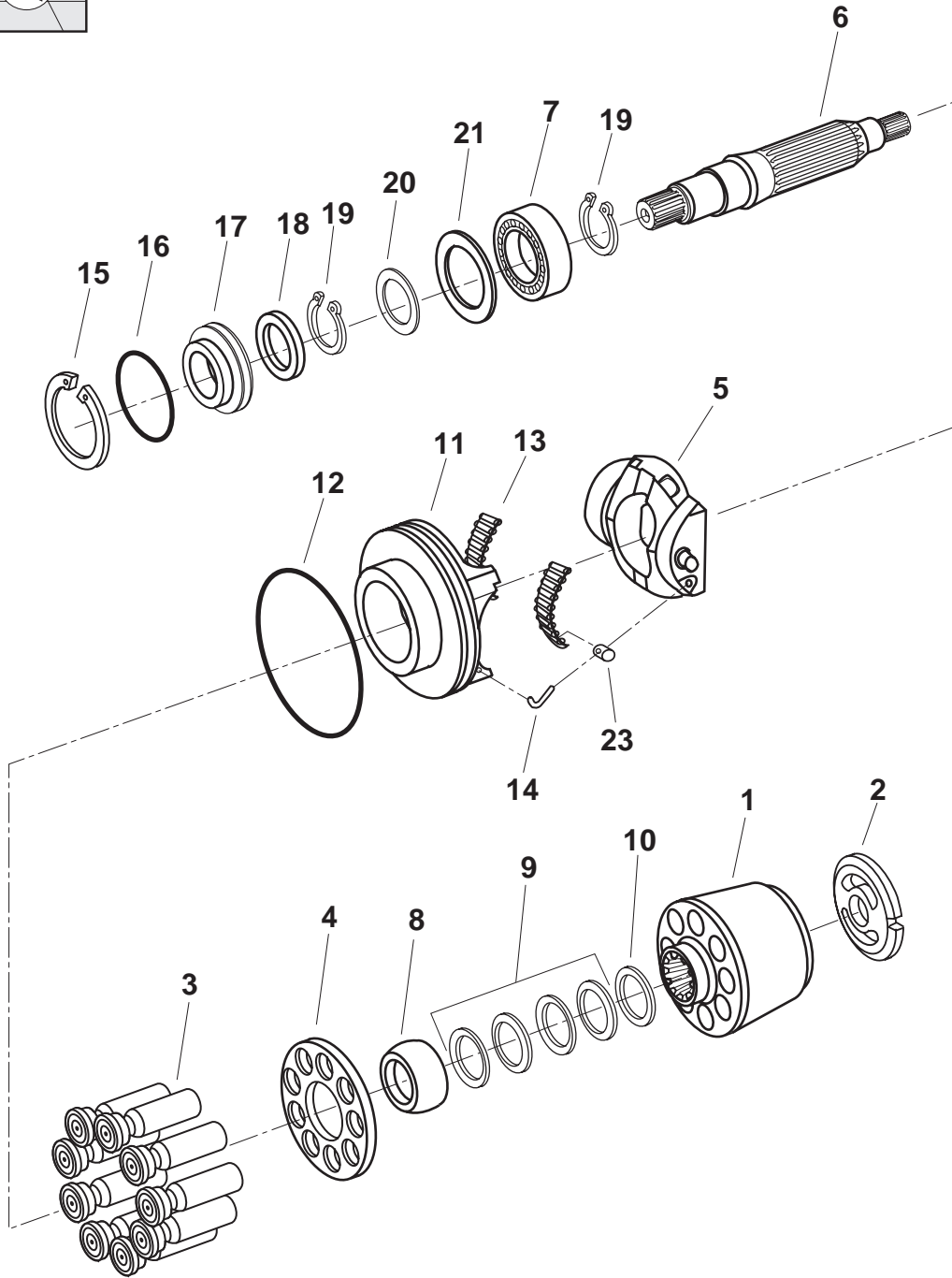
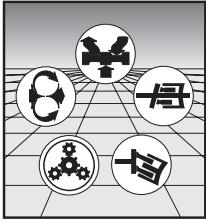
## MOBILE HYDRAULICS DIVISION

Assembly Number  
**AA4V40**

Item	Description	Qty	Part Number	
1	Rotary - Group Assembly CW	1	5410-570-001	
1	Rotary - Group Assembly CCW	1	5410-570-002	
2	Housing Assembly	1	5410-566-002	
3	Port Block Assembly	1	5410-430-009	
4	HD Control Assembly	1	5411-552-001	
4	HW Control Assembly	1	5412-552-001	
4	HW Control Assembly with Integral POR	1	5412-552-002	
4	EL Control Ass'y (24 Volts Proportional)	1	5413-552-001	
4	EL Control Ass'y (12 Volts Proportional)	1	5413-552-002	
5	Charge Pump	1	5410-430-001	
5	Charge Pump "A" Thru Drive Assembly	1	5410-635-003	
5	Charge Pump "B" Thru Drive Assembly	1	5410-635-010	
5	Charge Pump "B-B" Thru Drive Assembly	1	5410-635-011	
6	O-Ring (70 Duro Buna PRP-234)	1	68101-234	*
7	Front Flange	1	H401633	
8	Slide Block	1	H425992	
9	Stroking Time Orifice (0.8 mm)	2	H156492	
9	Stroking Time Orifice (1.0 mm)	2	H156493	
9	Stroking Time Orifice (1.2 mm)	2	H156494	
9	Stroking Time Orifice (1.4 mm)	2	H156495	
10	O-Ring (90 Duro Buna PRP-119)	1	68104-119	*
11	Charge Filter Adapter Sleeve	1	5400-083-001	
11	Plug (M26 x 1.5)	1	76118-001	
13	Charge Pump R/V Assembly	1	5400-566-004	
14	Main R/V Assembly (2600-6000 psi range)	2	5400-566-011	
14	Main R/V Assembly (1160-4640 psi range)	2	5400-566-013	
15	POR Assembly	1	5400-635-005	
16	POR Pipe	1	5410-635-005	
16	Plug (M12 x 1.5)	1	76116-001	
17	Control Pipe HD & EL without POR	1	5410-635-001	
17	Control Pipe HD, HW & EL with POR	1	5410-635-004	
17	Control Pipe HW without POR	1	5412-635-001	
18	Plug (7/8-14)	1	76107-014	

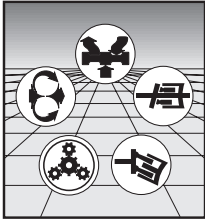
\* Contained in Buna Seal Kit 5410-635-002

[Back to Index](#)



Assembly Number  
**5410-570-001**

**Back to Index**



# REXROTH CORPORATION

## MOBILE HYDRAULICS DIVISION

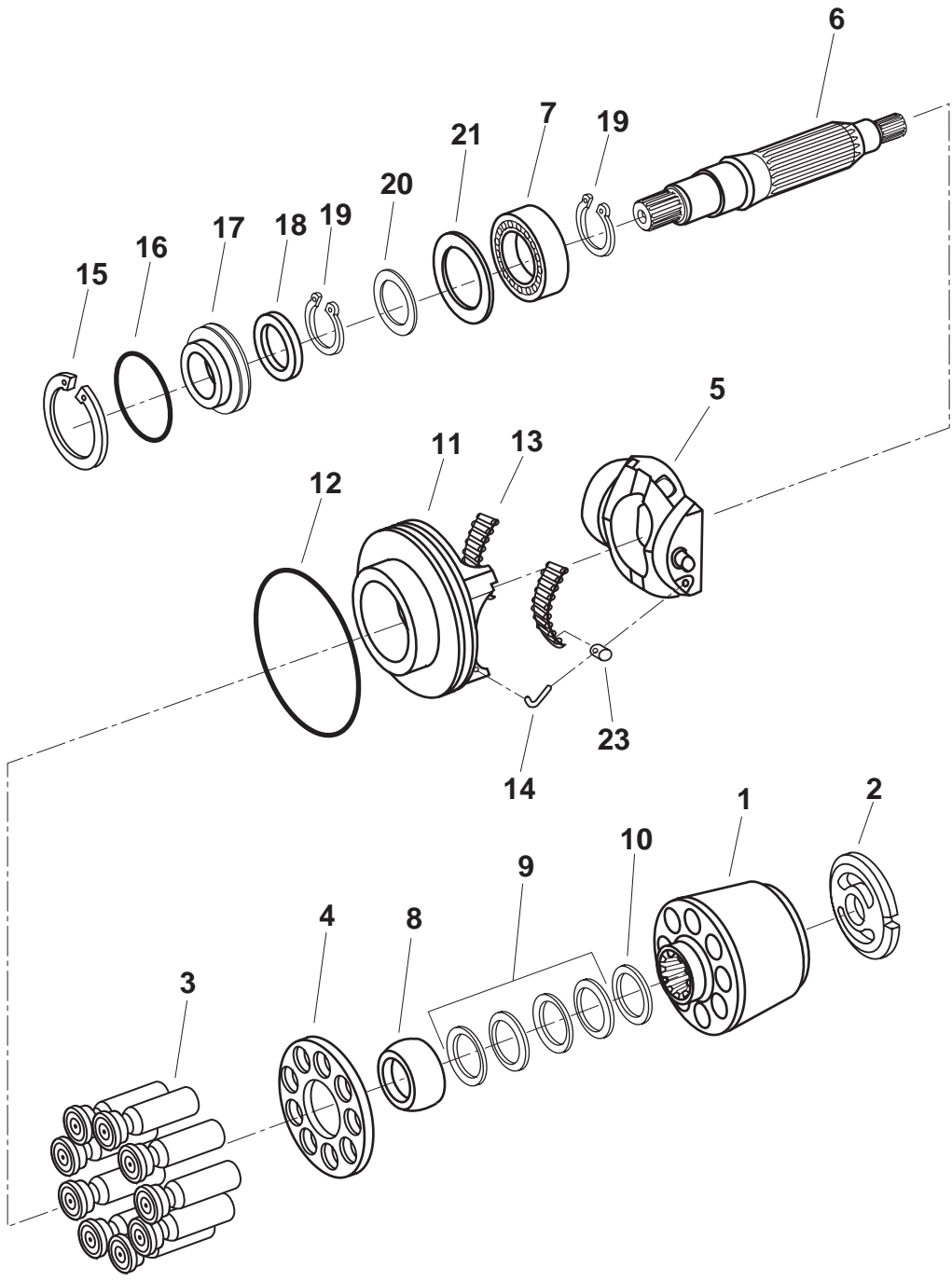
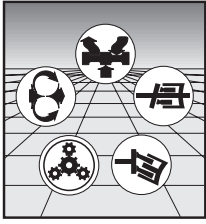
Assembly Number  
**5410-570-001**

Item	Description	Qty	Part Number	
1	Barrel A4V40	1	H415121	
2	Control Lens CW	1	5410-049-005	
3	Piston	9	H410658	
4	Retaining Plate	1	H431013	
5	Swash Plate Assembly	1	5410-430-010	
6	Shaft SAE	1	H401628	
7	Roller Bearing	1	H153685	
8	Retaining Ball	1	H426452	
9	Belleville Washer	4	H074125	
10	Preload Shim (1.0 mm)	1	H078313	▲
10	Preload Shim (0.6 mm)	0	H078314	▲
10	Preload Shim (0.8 mm)	0	H412495	▲
10	Preload Shim (1.2 mm)	0	H412496	▲
11	Bearing Flange	1	H080293	
12	O-Ring (70 Duro Buna PRP-249)	1	68101-249	*
13	Cage Bearing (Set)	1	H154681	
14	Wire	2	H076233	
15	Int. Snap Ring (62 x 2 DIN 472 )	1	71128-006	
16	O-Ring (90 Duro Buna PRP-140)	1	68104-140	*
17	Front Cover	1	H071318	
18	Shaft Seal (Buna-N)	1	5000-076-023	*
19	Ext. Snap Ring (35 x 1.5 DIN 471)	2	71119-007	
20	Shim	1	H086706	
21	Shim	1	H083427	
23	Bearing Retainer Bushing	2	H401842	

\* Contained in Buna Seal Kit 5410-635-002

▲ Select the correct Shim to set the Rotary Group preload

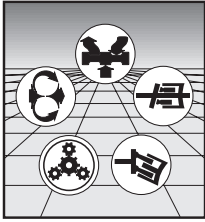
**Back to Index**



[Back to Index](#)

Assembly Number  
**5410-570-002**





# REXROTH CORPORATION

## MOBILE HYDRAULICS DIVISION

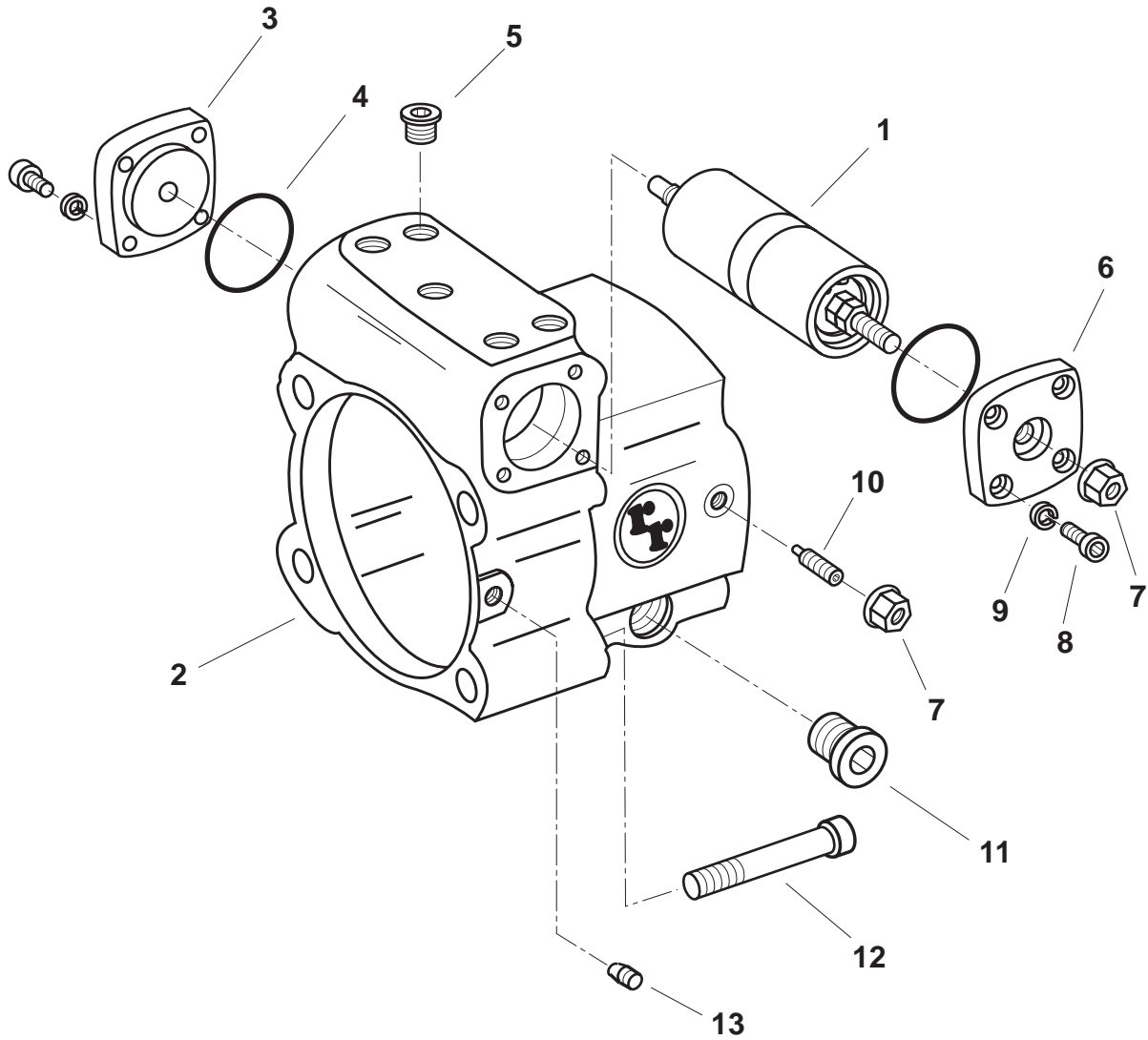
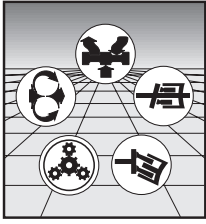
Assembly Number  
**5410-570-002**

Item	Description	Qty	Part Number	
1	Barrel A4V40	1	H415121	
2	Control Lens CCW	1	5410-049-006	
3	Piston	9	H410658	
4	Retaining Plate	1	H431013	
5	Swash Plate Assembly	1	5410-430-010	
6	Shaft SAE	1	H401628	
7	Roller Bearing	1	H153685	
8	Retaining Ball	1	H426452	
9	Belleville Washer	4	H074125	
10	Preload Shim (1.0 mm)	1	H078313	▲
10	Preload Shim (0.6 mm)	0	H078314	▲
10	Preload Shim (0.8 mm)	0	H412495	▲
10	Preload Shim (1.2 mm)	0	H412496	▲
11	Bearing Flange	1	H080293	
12	O-Ring (70 Duro Buna PRP-249)	1	68101-249	*
13	Cage Bearing (Set)	1	H154681	
14	Wire	2	H076233	
15	Int. Snap Ring (62 x 2 DIN 472)	1	71128-006	
16	O-Ring (90 Duro Buna PRP-140)	1	68104-140	*
17	Front Cover	1	H071318	
18	Shaft Seal (Buna-N)	1	5000-076-023	*
19	Ext. Snap Ring (35 x 1.5 DIN 471)	2	71119-007	
20	Shim	1	H086706	
21	Shim	1	H083427	
23	Bearing Retainer Bushing	2	H401842	

\* Contained in Buna Seal Kit 5410-635-002

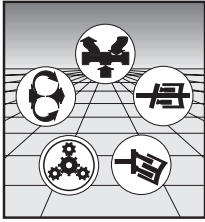
▲ Select the correct Shim to set the Rotary Group preload

**Back to Index**



Assembly Number  
**5410-566-002**

**Back to Index**



# REXROTH CORPORATION

## MOBILE HYDRAULICS DIVISION

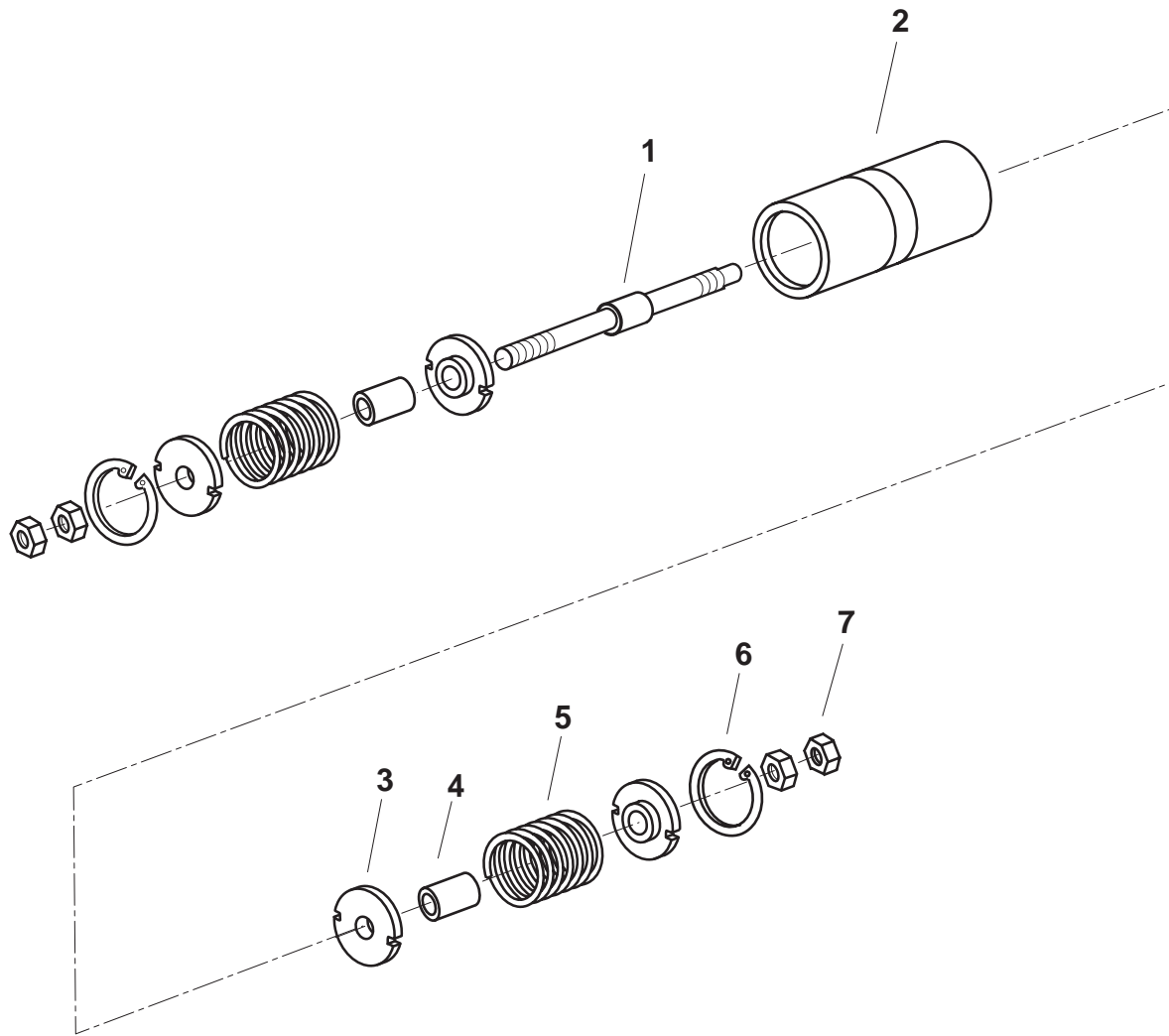
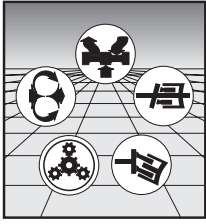
Assembly Number  
**5410-566-002**

Item	Description	Qty	Part Number	
1	Stroking Piston Asssembly	1	5410-574-005	
2	Housing	1	5410-566-001	
3	Stroking Piston Cover	1	H414455	
4	O-Ring (70 Duro Buna PRP-131)	2	68101-131	*
5	Plug (SAE 7/16-20)	5	76107-004	
6	Stroking Piston Cover	1	H400422	
7	Seal Nut (M10 x 1)	2	65110-007	*
8	Cap Screw (M6 x 12 DIN 912 -8.8)	8	60118-054	
9	Lock Washer (M6 DIN 7980)	8	61116-002	
10	Eccentric Screw	1	H405757	
11	Plug (SAE 7/8-14)	1	76107-010	
12	Cap Screw (M14 x 70 DIN 912-10.9)	4	60119-144	
13	Torsion Pin	1	H414043	▲
13	Torsion Pin	0	H414044	▲

\* Contained in Buna Seal Kit 5410-635-002

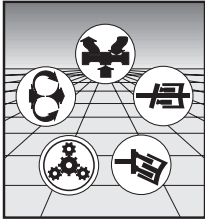
▲ Choose the correct Torsion Pin to fit the Cradle.

**Back to Index**



Assembly Number  
**5410-574-005**

**Back to Index**



# REXROTH CORPORATION

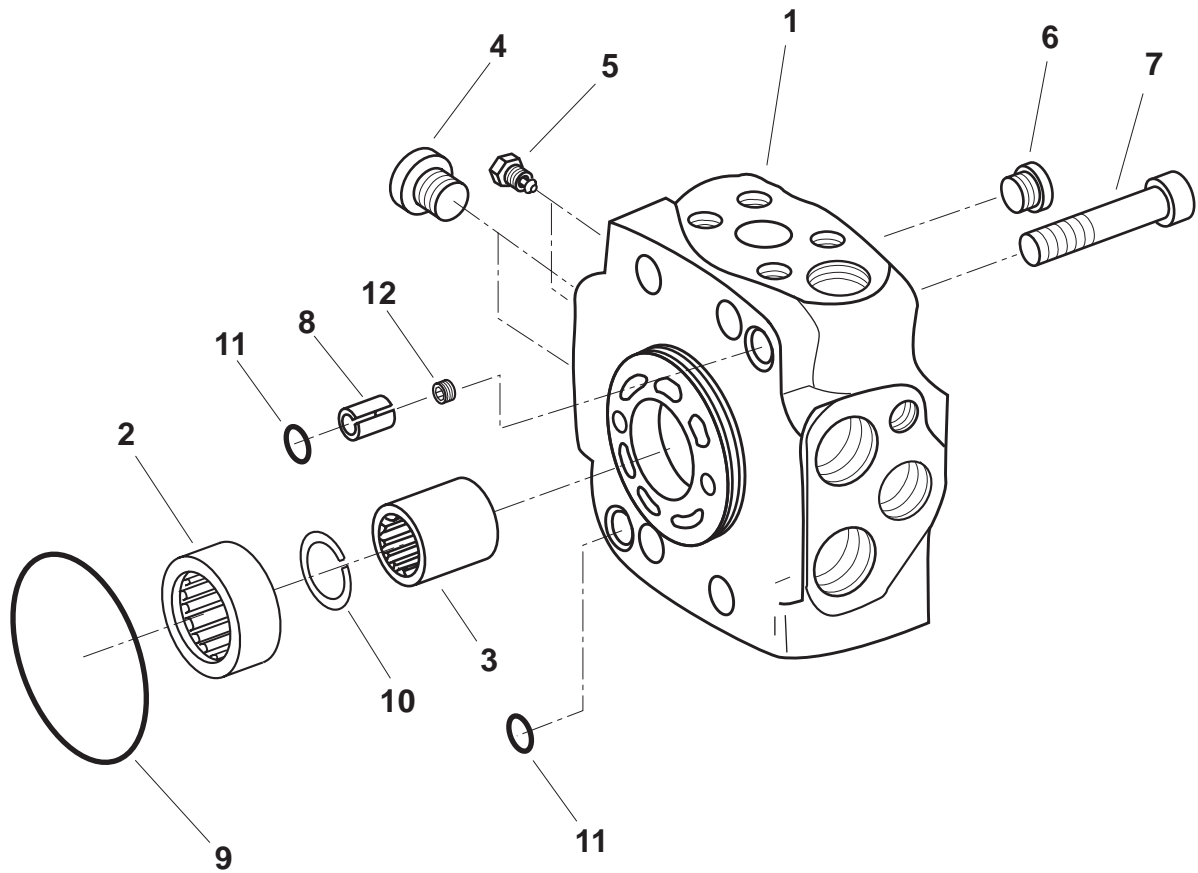
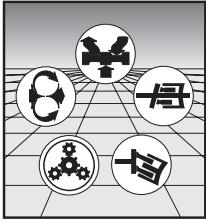
## MOBILE HYDRAULICS DIVISION

Assembly Number  
**5410-574-005**

Item	Description	Qty	Part Number	
1	Rod	1	H414459	
2	Piston	1	H400337	
3	Spring Collar with Bushing	4	H420771	
4	Spacer Bushing	1	H078349	▲
4	Spacer Bushing	0	H078350	▲
4	Spacer Bushing	0	H078351	▲
5	Spring	2	H420769	
6	Seeger-V-Ring	2	H156214	
7	Jam Nut (M10 x 1 DIN 439-04)	4	H156503	

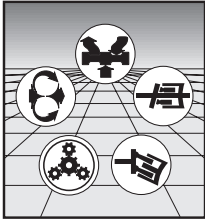
▲ Choose the Correct Spacer Bushing to Set Maximum Displacement.

**Back to Index**



Assembly Number  
**5410-430-009**

**Back to Index**



# REXROTH CORPORATION

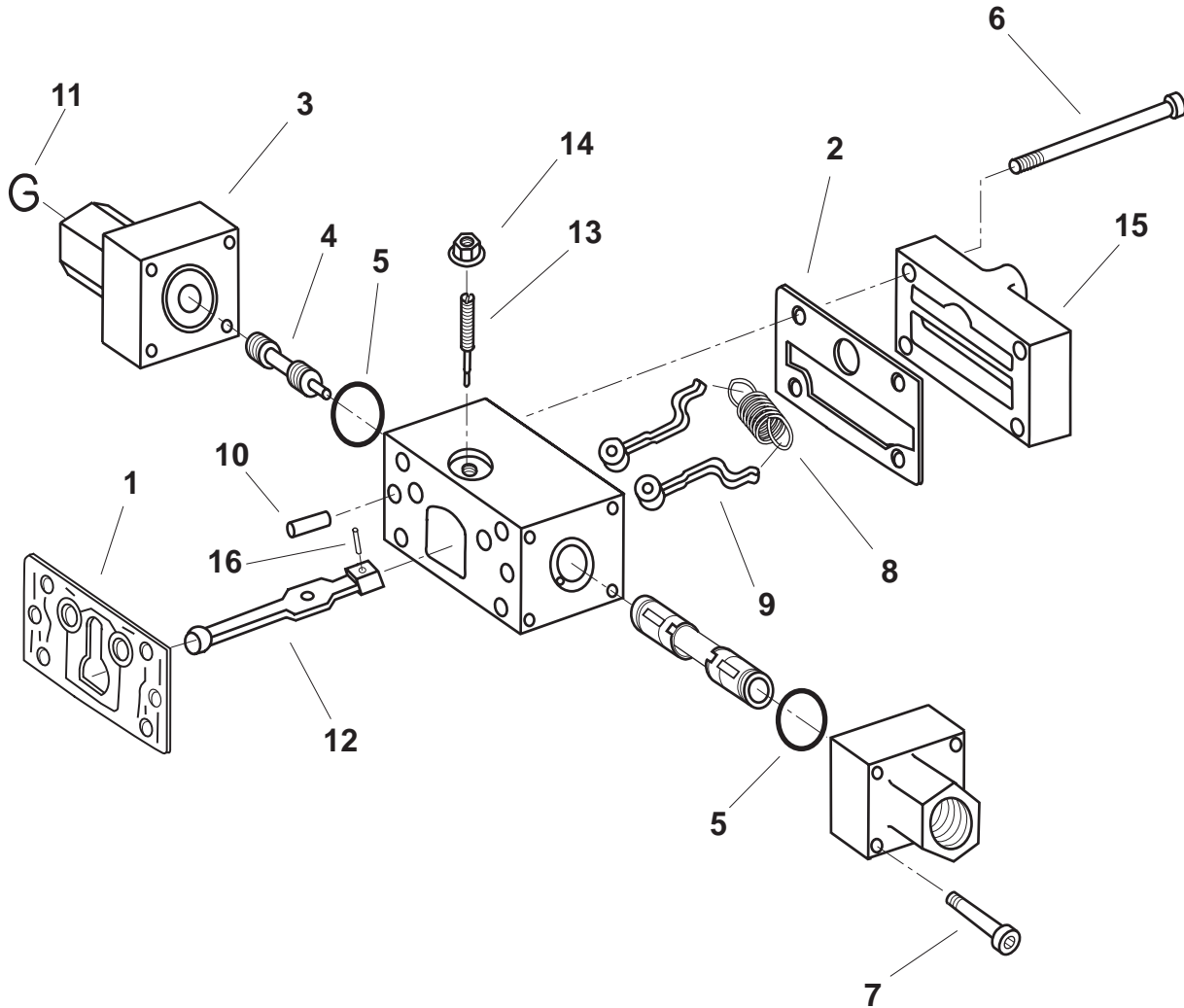
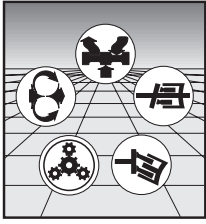
## MOBILE HYDRAULICS DIVISION

Assembly Number  
**5410-430-009**

Item	Description	Qty	Part Number	
1	Port Block Housing	1	5410-430-008	
2	Rear Shaft Bearing	1	H153245	
3	Charge Pump Coupling	1	H078306	
4	Plug (SAE 3/4-16)	2	76107-008	
5	P.O.R. Check Valve Assembly	2	H079500	
6	Plug (SAE 7/16-20)	2	76107-004	
7	Cap Screw (M12 x 70 DIN 912-10.9)	4	60119-144	
8	Spring Pin (5 x 10 DIN 7346)	1	69119-185	*
9	O-Ring (70 Duro Buna PRP-234)	1	68101-234	
10	Ext. Retaining Ring (DIN-7993)	1	71129-008	
11	Quad Ring (90 Duro PRP-4015)	2	62104-014	*
12	Socket Head Plug (M8 x 1 DIN 906)	1	76117-003	

\* Contained in Buna Seal Kit 5410-635-002

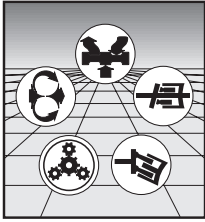
[Back to Index](#)



Assembly Number  
**5411-552-001**

**Back to Index**





# REXROTH CORPORATION

## MOBILE HYDRAULICS DIVISION

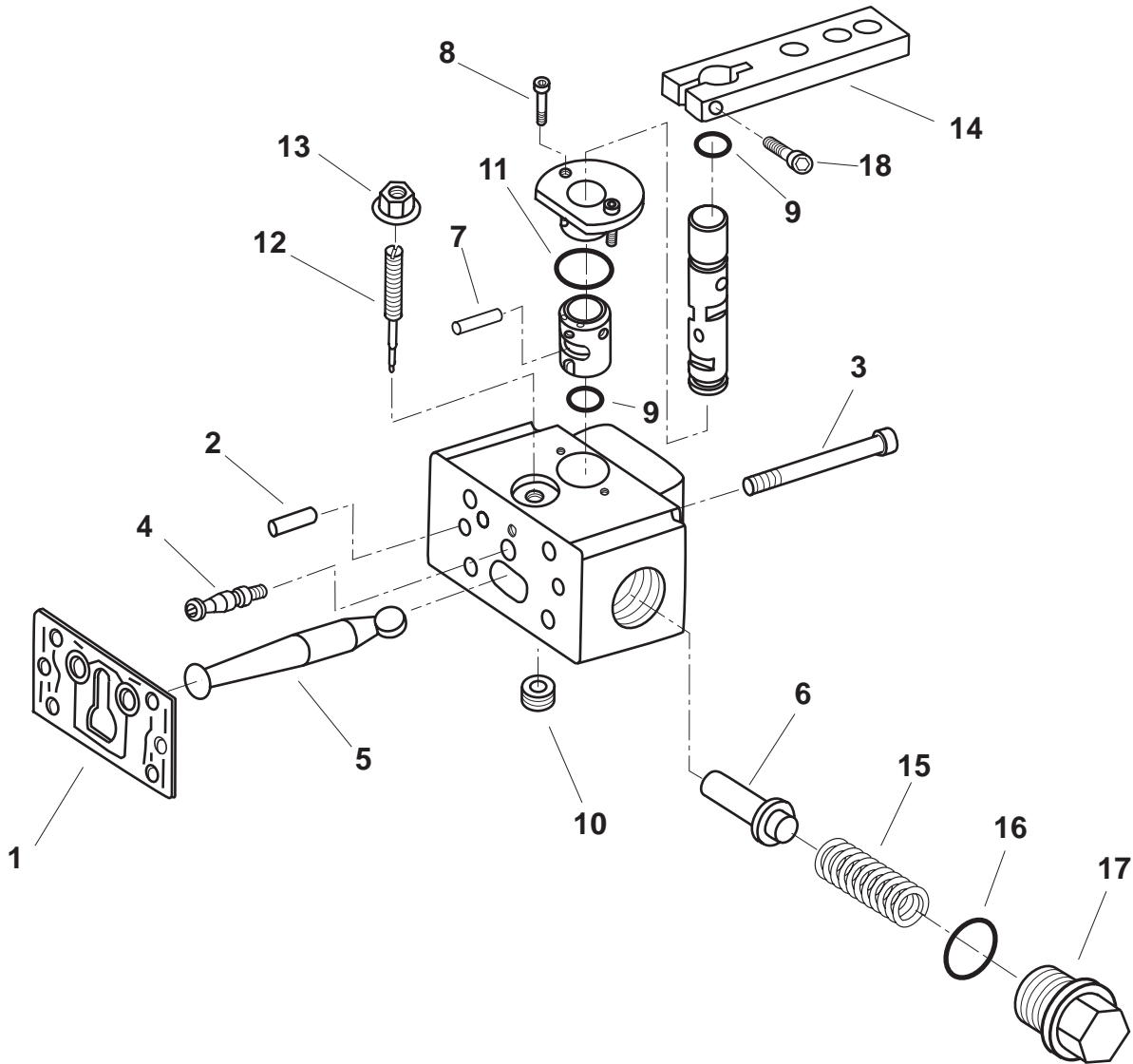
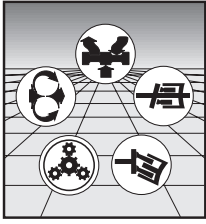
Assembly Number  
**5411-552-001**

Item	Description	Qty	Part Number	
1	Control Module Gasket	1	5400-082-001	*
2	Cover Gasket	1	5400-082-002	*
3	Bonnet	2	H401760	
4	Piston	2	H413580	
5	O-Ring (70 Duro Buna PRP-018)	2	68101-018	*
6	Cap Screw (M6 x 55 DIN 912-8.8)	4	60118-066	❖
7	Cap Screw (M4 x 20 DIN 912-8.8)	8	60118-020	
8	Spring	1	H416385	
9	Lever Arms	2	H417155	
10	Dowel Pin (6 x 14 mm DIN 6325)	2	69116-005	
11	Retaining Ring	2	H156539	
12	Feedback Lever	1	H408298	
13	Eccentric Pin	1	H071521	
14	Seal Nut (M6)	1	65110-003	*
15	Rear Cover	1	H071512	❖
16	Pin	1	H151552	

\* Contained in Buna Seal Kit 5410-635-002

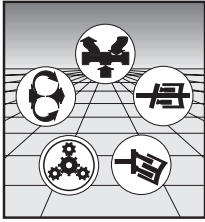
❖ These items are not used with POR. Use bolts listed with POR Ass'y.

**Back to Index**



Assembly Number  
**5412-552-001**

**Back to Index**



# REXROTH CORPORATION

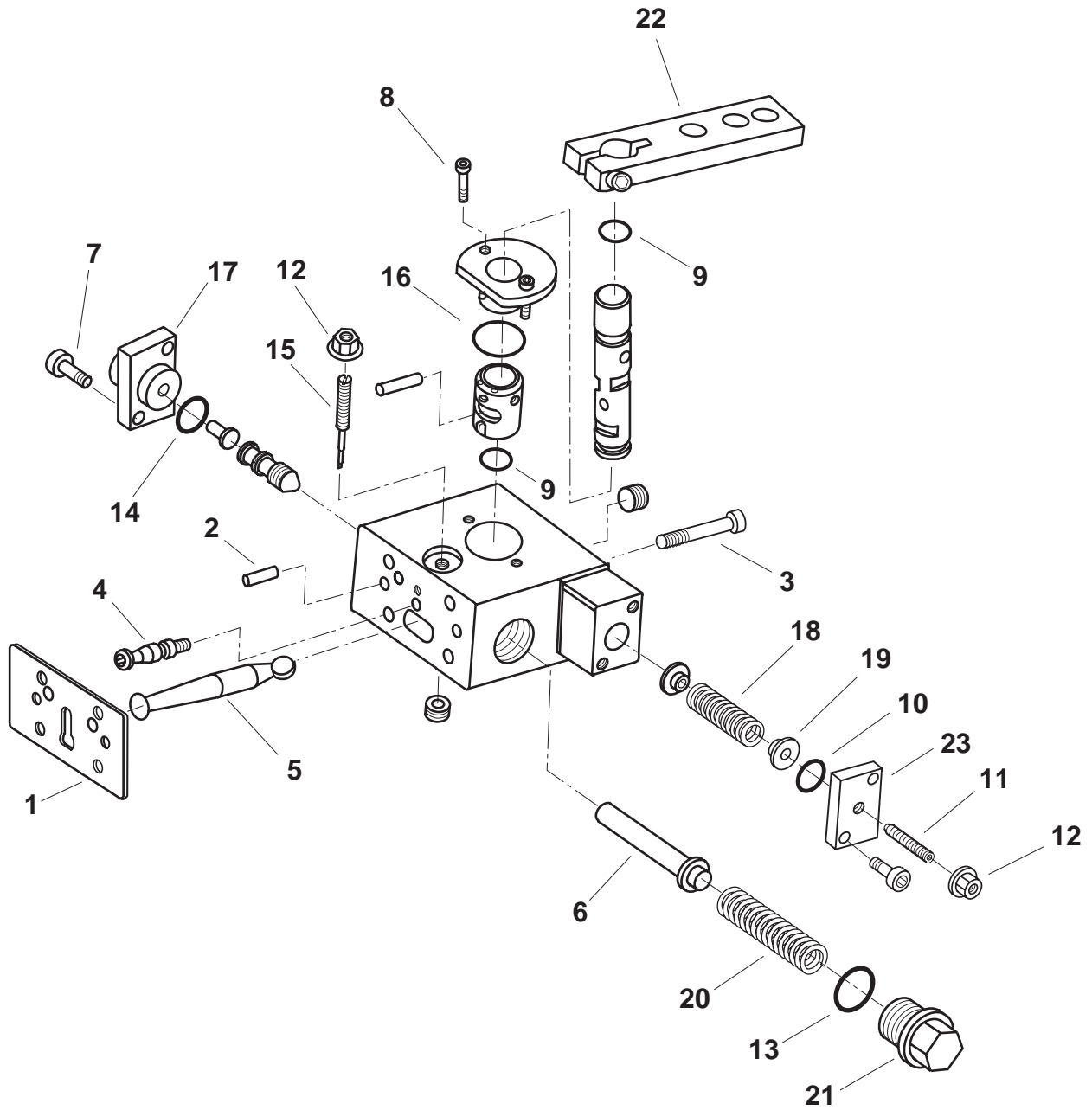
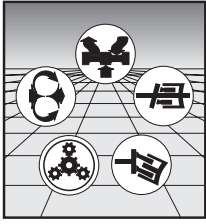
## MOBILE HYDRAULICS DIVISION

Assembly Number  
**5412-552-001**

Item	Description	Qty	Part Number	
1	Control Module Gasket	1	5400-082-001	*
2	Dowel Pin (M6 x 14 DIN 6325)	2	H087338	
3	Cap Screw (M6 x 50 DIN 912-8.8)	4	60118-065	
4	Center Pin	1	H071389	
5	Feed Back Lever	1	H076425	
6	Plunger	2	H400334	
7	Dowell Pin	1	H156217	
8	Cap Screw (M5 x 10 DIN 912-8.8)	2	60118-032	
9	O-Ring (70 Duro Buna PRP-012)	2	68101-012	*
10	Plug	1	H071521	
11	O-Ring (70 Duro Buna PRP-019)	1	68101-019	*
12	Eccentric	1	H071520	
13	Seal Nut (M6 x 1)	1	65110-003	*
14	Control Lever	1	H401723	
15	Spring	2	H416191	
16	O-Ring (90 Duro Buna PRP-115)	2	68104-115	*
17	Plug	2	H400335	
18	Cap Screw	1	60118-037	

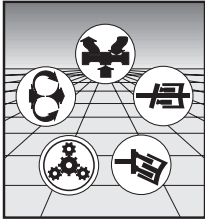
\* Contained in Buna Seal Kit 5410-635-002

**Back to Index**



Assembly Number  
**5412-552-002**

[Back to Index](#)



# REXROTH CORPORATION

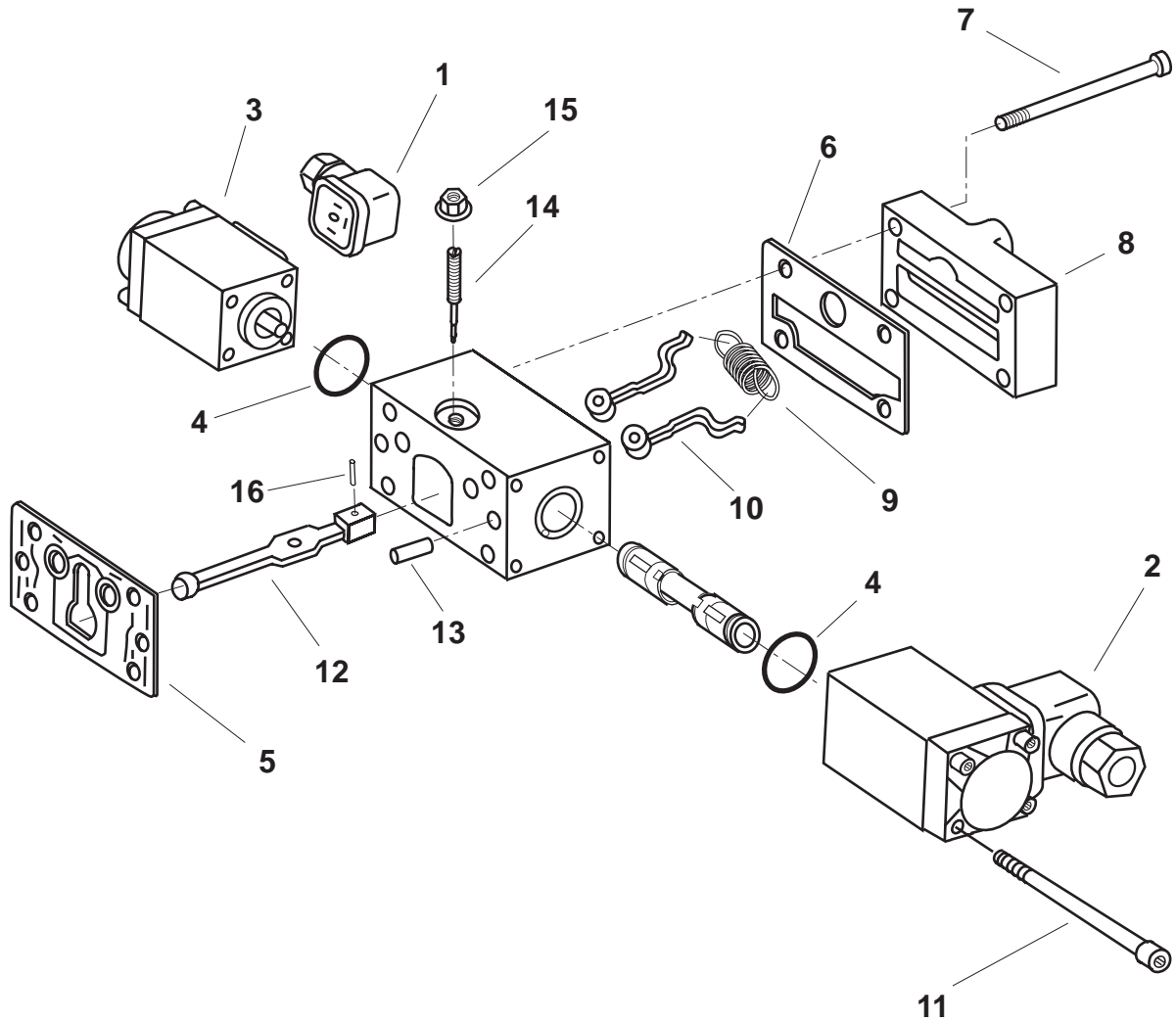
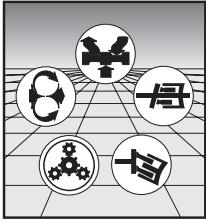
## MOBILE HYDRAULICS DIVISION

Assembly Number  
**5412-552-002**

Item	Description	Qty	Part Number	
1	Control Module Gasket	1	5400-082-001	*
2	Dowel Pin (6 x 14 mm DIN 6325)	2	69116-005	
3	Cap Screw (M6 x 70 DIN 912 -8.8)	4	60118-069	
4	Center Pin	1	H425121	
5	Feedback Lever	1	H076425	
6	Push Pin	2	H425120	
7	Cap Screw (M5 x 12 DIN 912 -8.8)	4	60118-033	
8	Cap Screw (M5 x 10 DIN 6912 -8.8)	2	60140-010	
9	O-Ring (70 Duro Buna PRP-012)	2	68101-012	*
10	O-Ring (70 Dura Buna PRP-016)	1	68101-016	*
11	Adjusting Screw (M6 x 35 DIN 914-10.9)	1	60136-047	
12	Seal Nut (M6 )	2	65110-003	*
13	O-Ring (90 Duro Buna PRP-115)	2	68104-115	*
14	O-Ring (70 Duro Buna PRP-017)	1	68101-017	*
15	Eccentric Pin	1	H079473	
16	O-Ring (70 Duro Buna PRP-019)	1	68101-019	*
17	Cover	1	H404572	
18	Spring	1	H404571	
19	Spring Guide	2	H404573	
20	Spring	2	H416191	
21	Cap	2	H400335	
22	Handle	1	H401723	

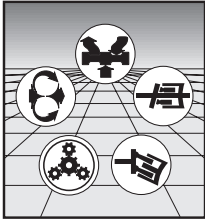
\* Contained in Seal Kit 5410-635-002

[Back to Index](#)



Assembly Number  
**5413-552-001**

[Back to Index](#)



# REXROTH CORPORATION

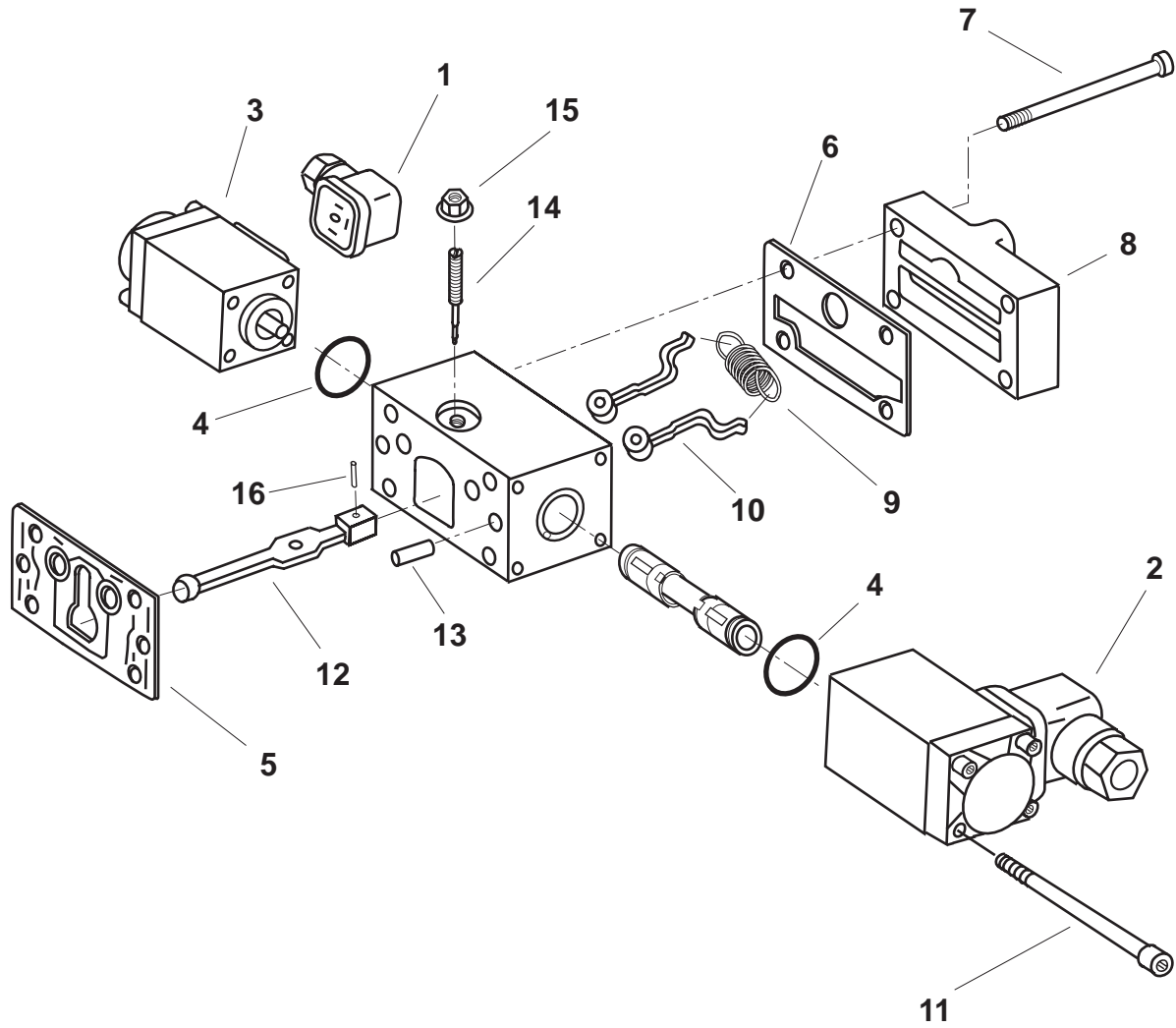
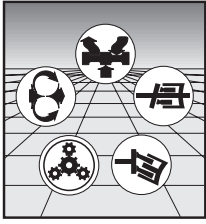
## MOBILE HYDRAULICS DIVISION

Assembly Number  
**5413-552-001**

Item	Description	Qty	Part Number	
1	Hershman Connector (Gray)	1	5400-085-001	
2	Hershman Connector (Black)	1	5400-085-002	
3	Solenoid-Prop. 24V	2	5403-580-001	
4	O-Ring (70 Duro Buna PRP-018)	2	68101-018	*
5	Control Gasket	1	5400-082-001	*
6	Control Gasket	1	5400-082-002	*
7	Cap Screw (M6 x 55 DIN 912-8.8)	4	60118-066	
8	Rear Cover	1	H071512	
9	Feedback Spring	1	H413287	
10	Control Arms	2	H417155	
11	Cap Screw (M4 x 70 DIN 912-8.8)	8	60118-341	
12	Feedback Lever	1	H408298	
13	Dowel Pin (6 x 14 mm DIN 6325)	2	69116-005	
14	Eccentric Screw	1	H071520	
15	Seal Nut (M6)	1	65110-003	*
16	Pin	1	H151552	

\* Contained in Buna Seal Kit 5410-635-002

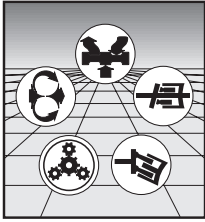
[Back to Index](#)



Assembly Number  
**5413-552-002**

**Back to Index**





# REXROTH CORPORATION

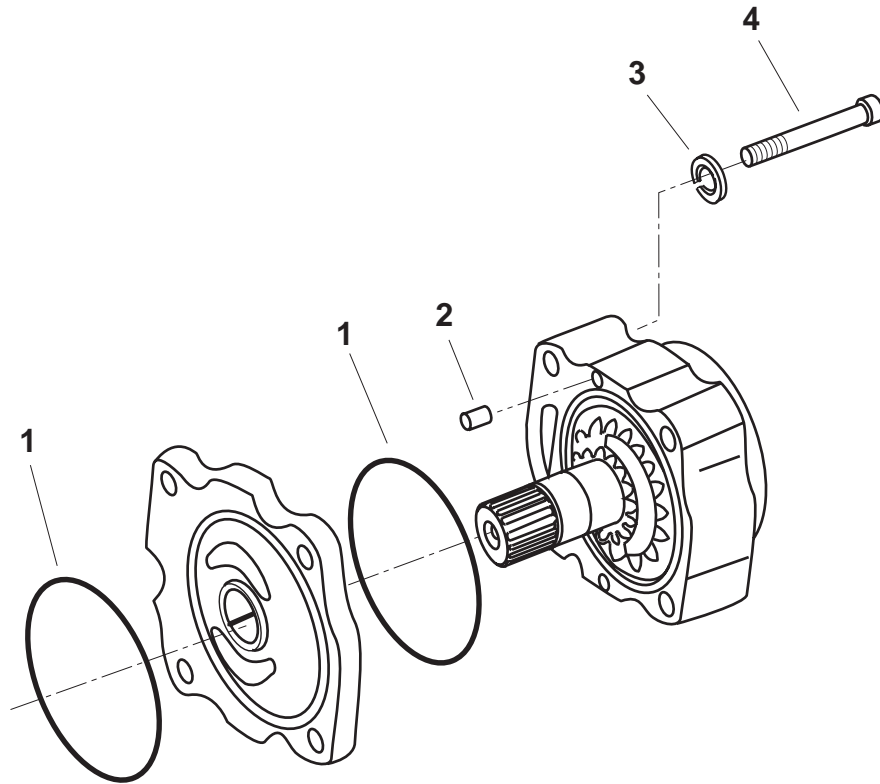
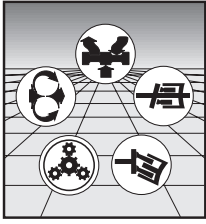
## MOBILE HYDRAULICS DIVISION

Assembly Number  
**5413-552-002**

Item	Description	Qty	Part Number	
1	Hershman Connector (Gray)	1	5400-085-001	
2	Hershman Connector (Black)	1	5400-085-002	
3	Solenoid-Prop. 12V	2	5403-580-002	
4	O-Ring (70 Duro Buna PRP-018)	2	68101-018	*
5	Control Gasket	1	5400-082-001	*
6	Control Gasket	1	5400-082-002	*
7	Cap Screw (M6 x 55 DIN 912-8.8)	4	60118-066	
8	Rear Cover	1	H071512	
9	Feedback Spring	1	H413287	
10	Control Arms	2	H417155	
11	Cap Screw (M4 x 70 DIN 912-8.8)	8	60118-341	
12	Feedback Lever	1	H408298	
13	Dowel Pin (6 x 14 mm DIN 6325)	2	69116-005	
14	Eccentric Screw	1	H071520	
15	Seal Nut (M6)	1	65110-003	*
16	Pin	1	H151552	

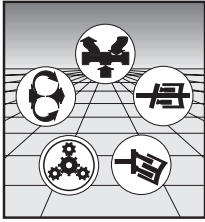
\* Contained in Buna Seal Kit 5410-635-002

[Back to Index](#)



Assembly Number  
**5410-430-001**

**Back to Index**



# REXROTH CORPORATION

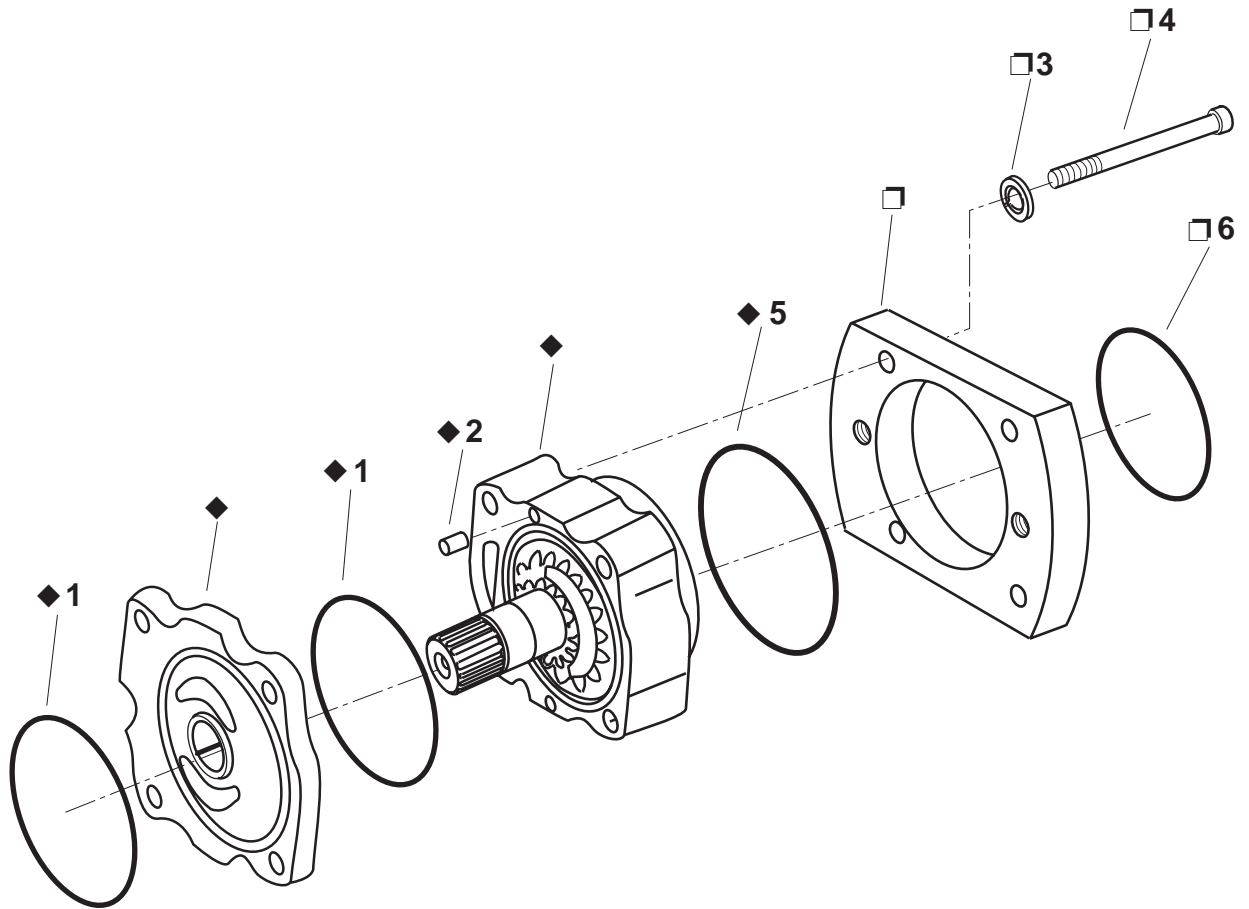
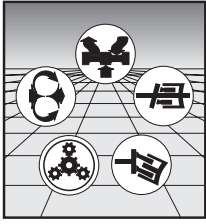
## MOBILE HYDRAULICS DIVISION

Assembly Number  
**5410-430-001**

Item	Description	Qty	Part Number	
1	O-Ring (70 Duro Buna PRP-040)	2	68101-040	*
2	Dowel Pin (M6 x 10 DIN 7)	2	69115-003	
3	Lock Washer (M8 DIN 7980)	4	61116-003	
4	Cap Screw (M8 x 45 DIN 912- 8.8)	4	60118-087	

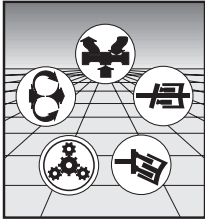
\* Contained in Buna Seal Kit 5410-635-002

**Back to Index**



Assembly Number  
**5410-635-003**

**Back to Index**



# REXROTH CORPORATION

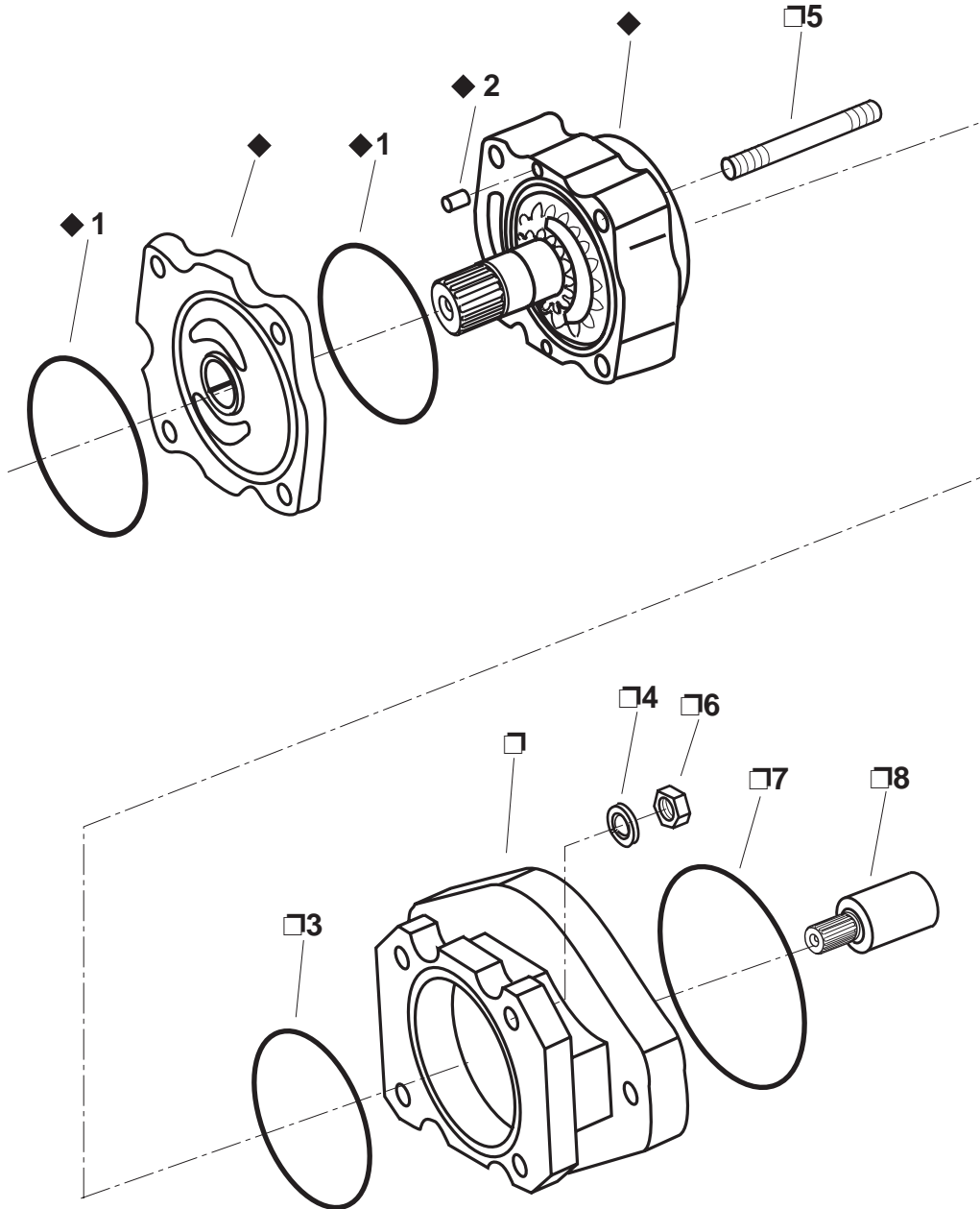
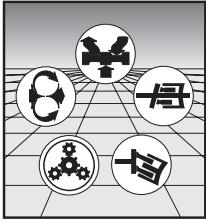
## MOBILE HYDRAULICS DIVISION

Assembly Number  
**5410-635-003**

Item	Description	Qty	Part Number	
1	O-Ring (70 Duro Buna PRP-040)	2	68101-040	*
2	Dowel Pin (M6 x 10 DIN 7)	2	69115-003	
3	Lock Washer (M8 DIN 7980)	4	61116-003	
4	Cap Screw (M8 x 50 DIN 912- 8.8)	4	60118-088	
5	O-Ring (70 Duro Buna PRP-150)	1	68101-150	*
6	O-Ring (70 Duro Buna PRP-042)	1	68101-042	*

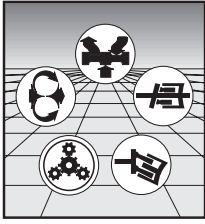
- \* Contained in Buna Seal Kit 5410-635-002
- ◆ These items are contained in 5410-430-003
- These items are contained in 5410-635-008

**Back to Index**



Assembly Number  
**5410-635-010**

[Back to Index](#)



# REXROTH CORPORATION

## MOBILE HYDRAULICS DIVISION

Assembly Number  
**5410-635-010**

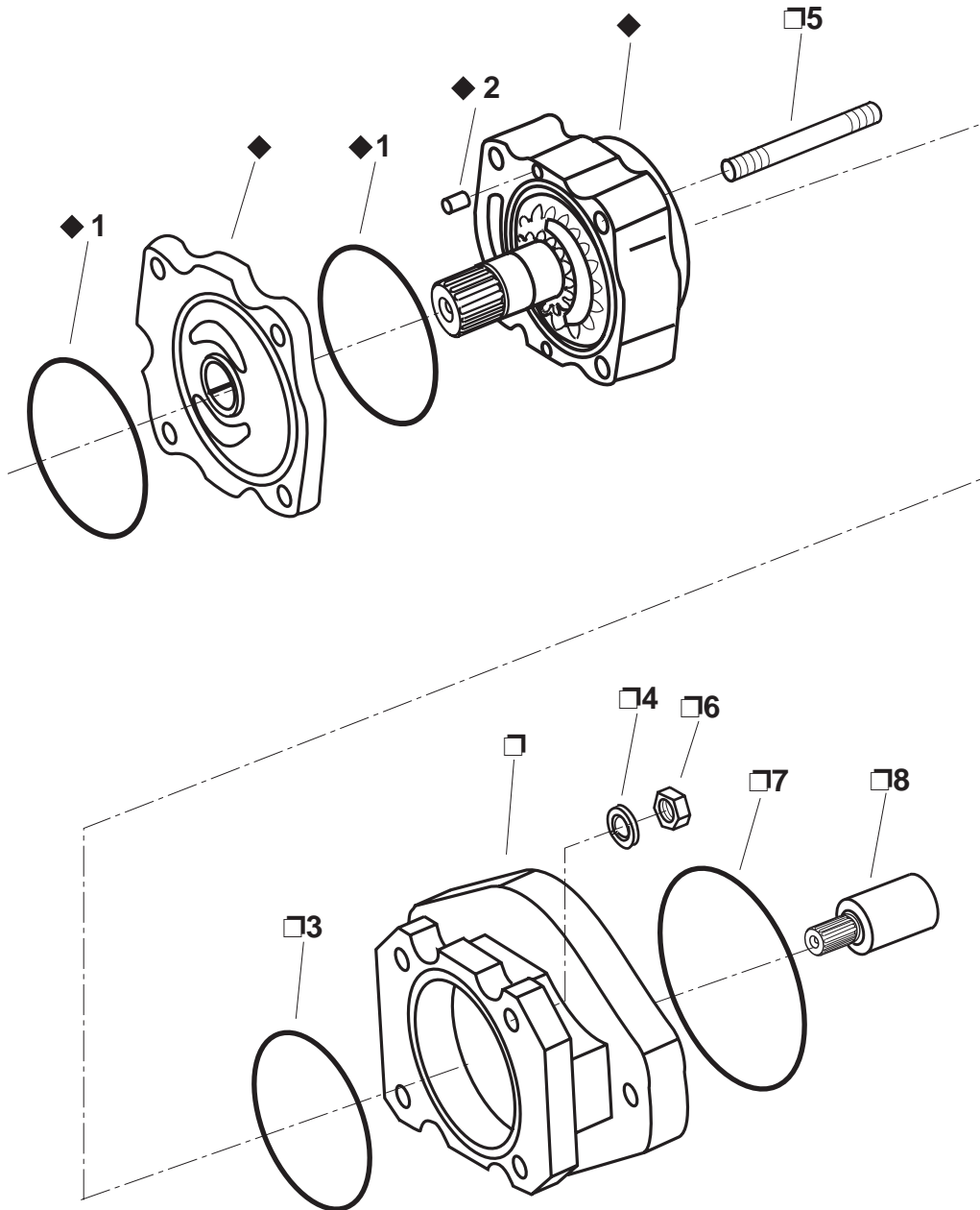
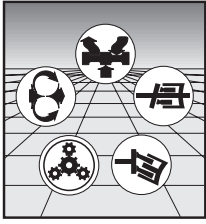
Item	Description	Qty	Part Number	
1	O-Ring (70 Duro Buna PRP-040)	2	68101-040	*
2	Dowel Pin (6 x 10 mm DIN 7)	1	69115-003	
3	O-Ring (70 Duro Buna PRP-150)	1	68101-150	*
4	Lock Washer (M8)	4	61116-003	
5	Stud	4	H154623	
6	Nut (M8)	4	65111-003	
7	O-Ring (70 Duro Buna PRP-045)	1	68101-045	*
8	Thru Drive Coupling SAE "B"	1	5400-065-001	

\* Contained in Buna Seal Kit 5410-635-002

◆ These parts included in 5410-430-004

□ These parts included in 5410-635-009

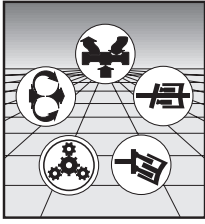
[Back to Index](#)



Assembly Number  
**5410-635-011**

[Back to Index](#)





# REXROTH CORPORATION

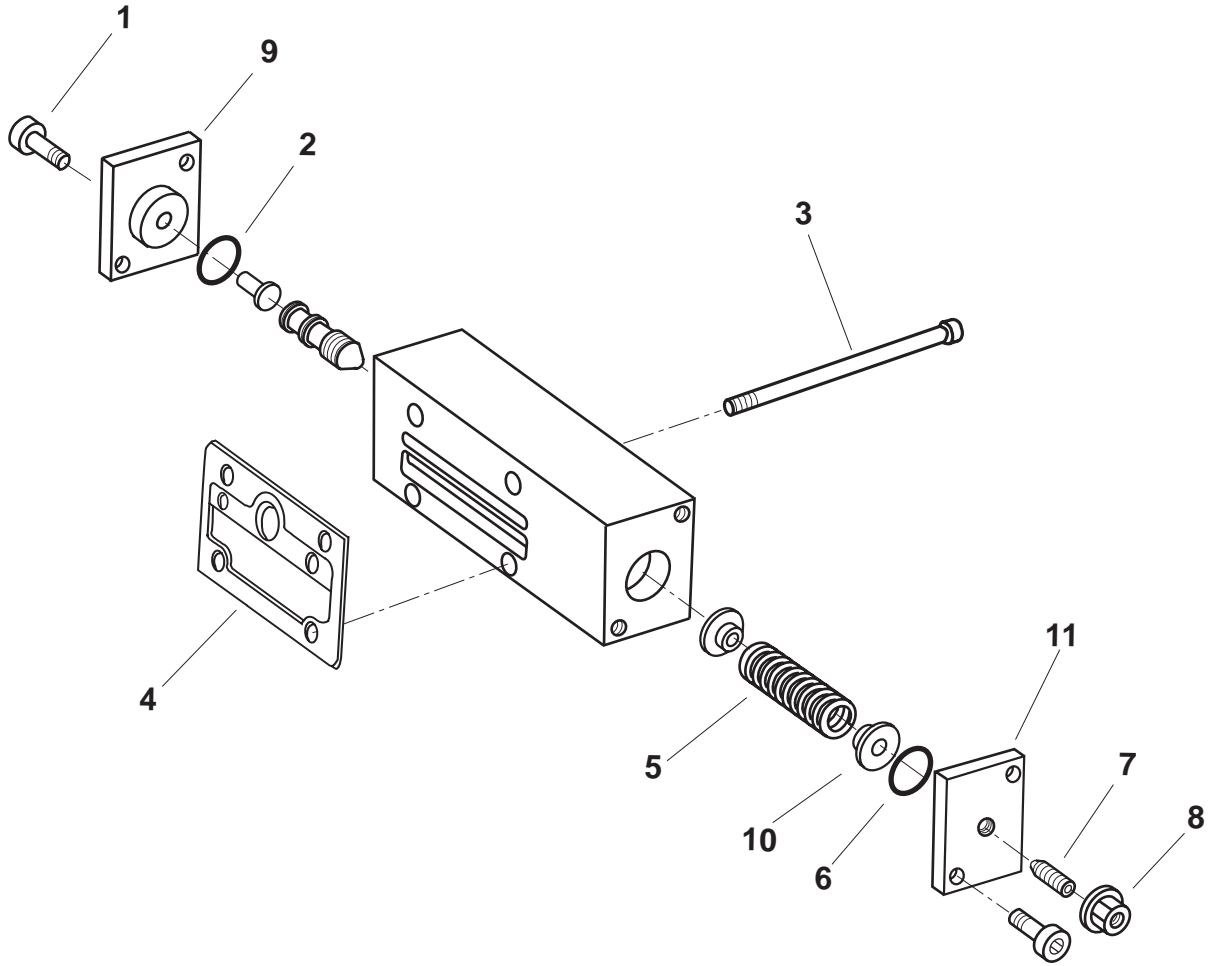
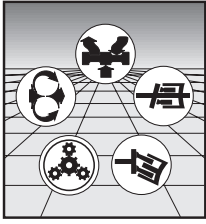
## MOBILE HYDRAULICS DIVISION

Assembly Number  
**5410-635-011**

Item	Description	Qty	Part Number	
1	O-Ring (70 Duro Buna PRP-040)	2	68101-040	*
2	Dowel Pin (6 x 10 mm DIN 7)	1	69115-003	
3	O-Ring (70 Duro Buna PRP-150)	1	68101-150	*
4	Lock Washer (M8)	4	61116-003	
5	Stud	4	H154623	
6	Nut (M8)	4	65111-003	
7	O-Ring (70 Duro Buna PRP-045)	1	68101-045	*
8	Thru Drive Coupling SAE "B-B"	1	5400-065-003	

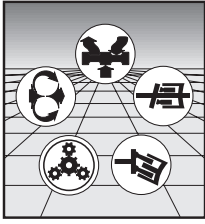
- \* Contained in Buna Seal Kit 5410-635-002
- ◆ These parts included in 5410-430-004
- These parts included in 5410-635-012

**Back to Index**



Assembly Number  
**5400-635-005**

**Back to Index**



# REXROTH CORPORATION

## MOBILE HYDRAULICS DIVISION

Assembly Number  
**5400-635-005**

Item	Description	Qty	Part Number	
1	Cap Screw (M5 x 12 DIN 912-8.8)	4	60118-033	
2	O-Ring (70 Duro Buna PRP-017)	1	68101-017	*
3	Cap Screw (M6 x 70 DIN 912-8.8)	4	60118-092	
4	Control Module Gasket	1	5400-082-002	*
5	Spring	1	H420972	
6	O-Ring (70 Duro Buna PRP-016)	1	68101-016	*
7	Adjusting Screw (M6 x 25 DIN 914-10.9)	1	60136-002	
8	Seal Nut (M6)	1	65110-003	*
9	Cover	1	H404572	
10	Spring Collar	4	H420971	
11	Cover	1	H404507	

\* Contained in Buna Seal Kit 5410-635-002

[Back to Index](#)

## Variable Pump AA4V, Series 1

**Specifications, descriptions, and illustrative material shown herein were as accurate as know at the time this publication was printed. Rexroth reserves the right to discontinue models or options at any time or to change specifications, materials, or designs without notice and without incurring obligation.**

DISTRIBUTED BY: