

Spare parts list

Product Unit
Axial Piston Units

Part No.: R902117059

Designation: AA4VG90HWDL1/32R-NSF52K021E-S

Drawing no.: R902005283

Pos.	Part No.	Designation	Quantity	
1	R902087364	ROTARY GROUP	1 ST	L
2	R902016006	CONTROL, HYDRAULIC	1 ST	L
3	R909608820	PORT PLATE WITH VALVES	1 ST	L
4	R902080109	PUMP SUPPORT PLATE	1 ST	L
5	R902096405	CONTROL MODULE	1 ST	L
10	R902010618	HOUSING	1 ST	
13	R909449714	JOINT PIN	2 ST	
14	R909405732	DOWEL PIN	1 ST	
20	R909154480	LOCKING SCREW	1 ST	D
21	R909153338	LOCKING SCREW	1 ST	D
22	R909153371	LOCKING SCREW	4 ST	D
24	R909083228	LOCKING SCREW	1 ST	
25	R909086731	O-RING	1 ST	D
26	R909153572	LOCKING SCREW	1 ST	
28	R909426700	ORIFICE	2 ST	D
31	R909156579	CLAMPING PIN	2 ST	
33	R909151694	LOCKING SCREW	3 ST	D
35	R909153364	LOCKING SCREW	4 ST	D
37	R909087913	LOCKING SCREW	1 ST	
39	R909153418	LOCKING SCREW	1 ST	D
46	R909154982	THREADED PIN	1 ST	
47	R909087405	SEAL LOCK NUT	1 ST	D
49	R909426700	ORIFICE	1 ST	D
63	R909154478	LOCKING SCREW	1 ST	D
98	R902095529	SEAL KIT,COMPLETE	1 ST	

Safety Notes:

Service – and repair works have to be carried out by the Bosch Rexroth AG or their repair stations only. We do not grant any warranty for defects due to assembly, maintenance or repair not effected by the Bosch Rexroth AG or their repair stations.

L = Assembly group D = Sealing element

Page: 1

Date: 19.03.2008

Spare parts list

Product Unit
Axial Piston Units

Part No.: R902087364

Designation: ROTARY GROUP

Drawing no.: R902079219

Pos.	Part No.	Designation	Quantity	
1	R902079223	ROTARY GROUP, HYDR. SECTION	1 ST	L
2	R902087336	CONTROL PLATE	1 ST	
12	R909922255	CRADLE	1 ST	
13	R909449810	SLIDE RING	1 ST	
14	R909921550	DRIVE SHAFT	1 ST	
17	R909417959	WIRE	2 ST	
26	R902066593	BEARING LINER (PAIR)	1 ST	
31	R909153104	PLAIN ROLLER BEARING	1 ST	
32	R909830165	CRADLE BEARING ASSEMBLY (SET)	1 ST	
36	R909083362	RETAINING RING	1 ST	
37	R902600001	RETAINING RING	2 ST	
38	R902601820	SHAFT SEAL RING	1 ST	D
98	R902002390	SEAL KIT DRIVE SHAFT	1 ST	

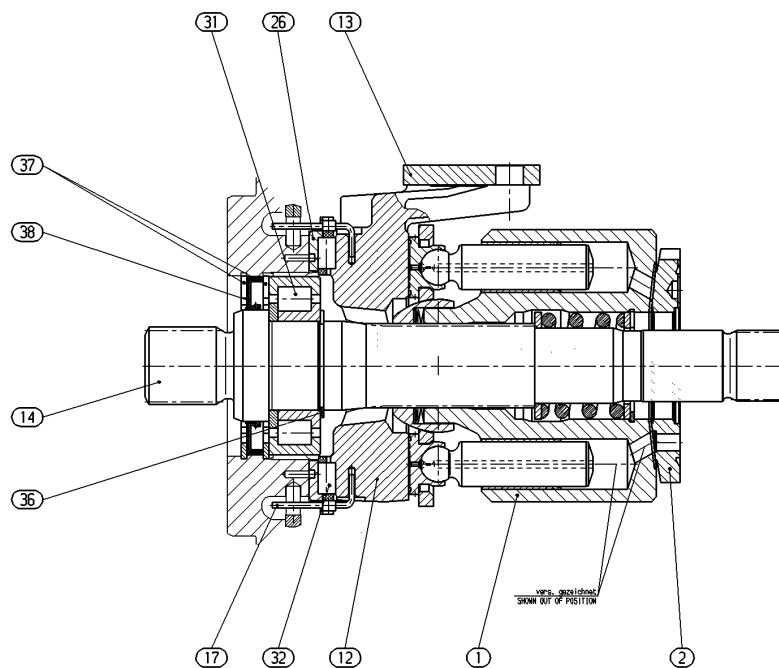
Spare parts list

Product Unit
Axial Piston Units

Part No.: R902087364

Designation: ROTARY GROUP

Drawing no.: R902079219



Spare parts list

Product Unit
Axial Piston Units

Part No.: R902079223

Designation: ROTARY GROUP, HYDR. SECTION

Drawing no.: R902079225

Pos.	Part No.	Designation	Quantity
1	R902018860	CYLINDER WITH BUSH	1 ST
2	R909414515	PISTON-SLIPPER PAD	9 ST
11	R909921728	CUP-SPRING STACK	1 ST
20	R909432983	SHIM	1 ST
20	R909432984	SHIM	1 ST
20	R909432985	SHIM	1 ST
20	R909432986	SHIM	1 ST
24	R909921729	RETAINING PLATE	1 ST
25	R909921730	RETAINING BALL	1 ST
27	R909449885	WASHER	2 ST
29	R909435649	PRESSURE SPRING	1 ST
41	R909084556	RETAINING RING	1 ST

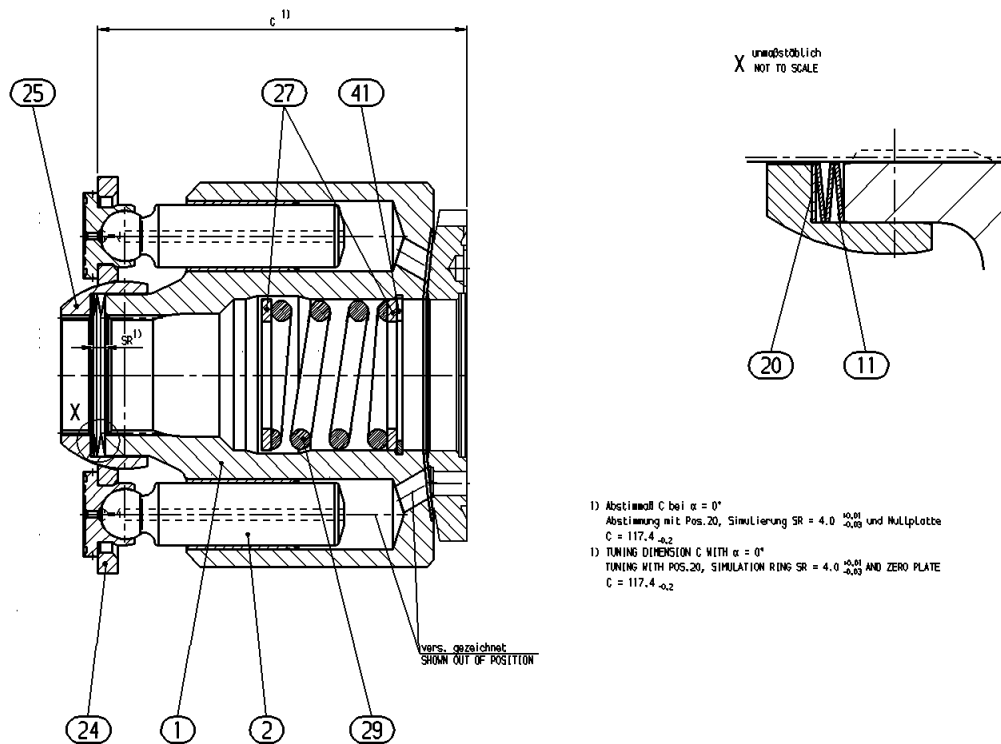
Spare parts list

Product Unit
Axial Piston Units

Part No.: R902079223

Designation: ROTARY GROUP, HYDR. SECTION

Drawing no.: R902079225



Spare parts list

Product Unit
Axial Piston Units

Part No.: R902016006

Designation: CONTROL, HYDRAULIC

Drawing no.: R902010629

Pos.	Part No.	Designation	Quantity	
1	R902025526	POSITIONING PISTON COMPLETE	1 ST	L
3	R902010621	COVER	1 ST	
4	R902010622	COVER	1 ST	
16	R909157477	HEXAGON NUT	1 ST	
17	R909083036	SOCKET-HEAD SCREW	8 ST	
20	R909083790	O-RING	2 ST	D
30	R902600838	GUIDE RING	2 ST	
31	R902600270	ROD SEAL KIT	2 ST	D
98	R902002373	SEAL KIT HYDR. CONTROL	1 ST	

L = Assembly group D = Sealing element

Page: 7

Date: 19.03.2008

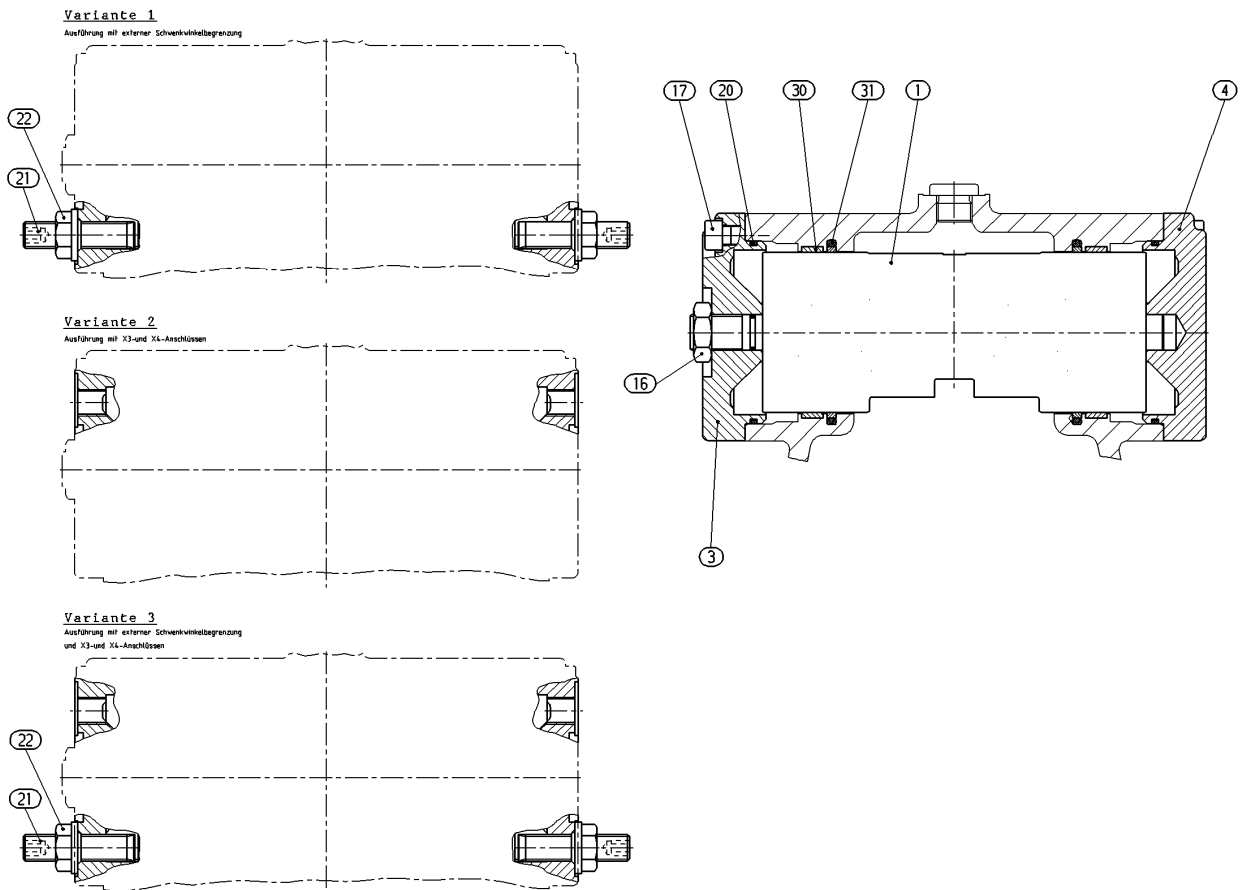
Spare parts list

Product Unit
Axial Piston Units

Part No.: R902016006

Designation: CONTROL, HYDRAULIC

Drawing no.: R902010629



Spare parts list

Product Unit
Axial Piston Units

Part No.: R902025526

Designation: POSITIONING PISTON COMPLETE

Drawing no.: R902025513

Pos.	Part No.	Designation	Quantity	
1	R902010627	POSITIONING PISTON	1 ST	
2	R909922109	ROD	1 ST	
5	R902020493	RING	2 ST	
5	R902020494	RING	2 ST	
5	R902020495	RING	2 ST	
5	R902020496	RING	2 ST	
5	R902020497	RING	2 ST	
5	R902020498	RING	2 ST	
5	R902029756	RING	2 ST	
5	R902029757	RING	2 ST	
5	R902043149	RING	2 ST	
6	R902600767	ASSEMBLY RING	2 ST	
7	R902020100	SPRING COLLAR	2 ST	
10	R909922121	PRESSURE SPRING	2 ST	
11	R909922122	PRESSURE SPRING	2 ST	
15	R909830312	RETAINING RING	2 ST	
19	R909086333	O-RING	1 ST	D
23	R909922116	SPRING COLLAR	2 ST	

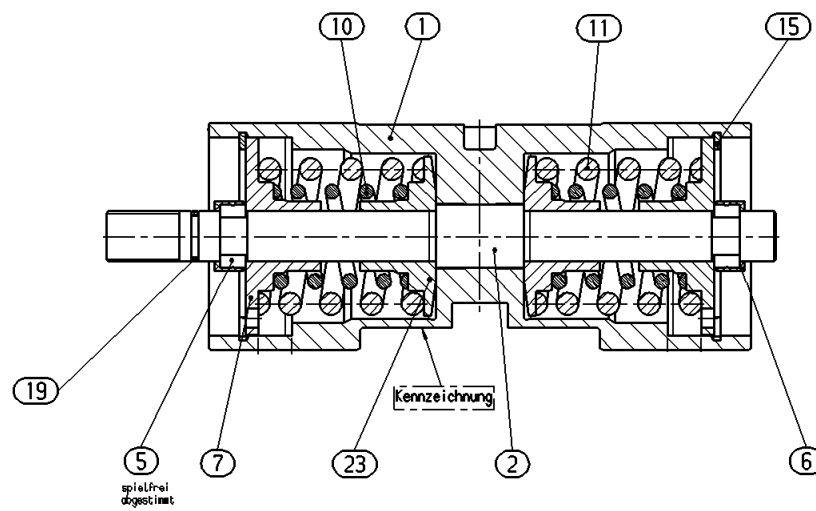
Spare parts list

Product Unit
Axial Piston Units

Part No.: R902025526

Designation: POSITIONING PISTON COMPLETE

Drawing no.: R902025513



Spare parts list

Product Unit
Axial Piston Units

Part No.: R909608820

Designation: PORT PLATE WITH VALVES

Drawing no.: R909705410

Pos.	Part No.	Designation	Quantity	
1	R902602249	MHDBN22K2-20/520VHP-130 #150NM&	2 ST	L
2	R909434856	PRESSURE RELIEF VALVE	1 ST	L
3	R909437363	PRESSURE OVERRIDE VALVE	1 ST	L
5	R909651103	PORT PLATE	1 ST	
7	R909083141	SOCKET-HEAD SCREW	4 ST	
9	R909830300	O-RING	1 ST	D
11	R909831320	DOUBLE BREAK-OFF PIN	1 ST	
12	R909151692	LOCKING SCREW	1 ST	D
13	R909154024	LOCKING SCREW	4 ST	D
26	R909086333	O-RING	2 ST	D
35	R909154478	LOCKING SCREW	2 ST	D
43	R909440537	BUSH	1 ST	
44	R909435790	BEARING BUSHING	1 ST	
48	R909831319	DOUBLE BREAK-OFF PIN	1 ST	
80	R902400581	FLANGE COVER	1 ST	LD
81	R902400581	FLANGE COVER	1 ST	LD
98	R902002400	SEAL KIT PORT PLATE WITH VALVES	1 ST	

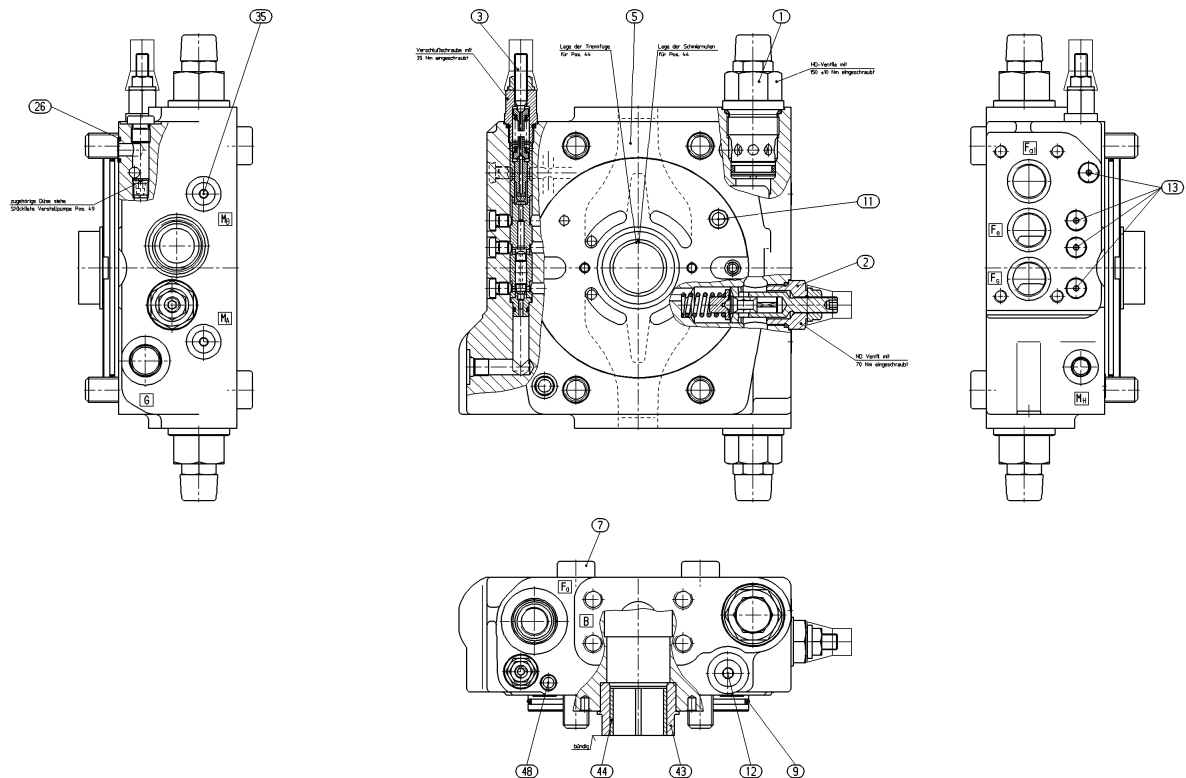
Spare parts list

Part No.: R909608820

Designation: PORT PLATE WITH VALVES

Product Unit
Axial Piston Units

Drawing no.: R909705410



Spare parts list

Product Unit
Axial Piston Units

Part No.: R902602249

Designation: MHDBN22K2-20/520VHP-130 #150NM&

Pos.	Part No.	Designation	Quantity	
1	R961003396	SEAL KIT	1 ST	D
2	R902602247	CAP	1 ST	

Spare parts list

Product Unit
Axial Piston Units

Part No.: R909434856

Designation: PRESSURE RELIEF VALVE

Drawing no.: R909730913

Pos.	Part No.	Designation	Quantity	
1	R909436167	LOCKING SCREW	1 ST	
2	R909449622	ADJUSTING SCREW	1 ST	
3	R909435899	VALVE PISTON	1 ST	
4	R902010336	SPRING COLLAR	1 ST	
5	R909440765	PRESSURE SPRING	1 ST	
8	R909083761	O-RING	1 ST	D
9	R909153271	SEAL LOCK NUT	1 ST	D

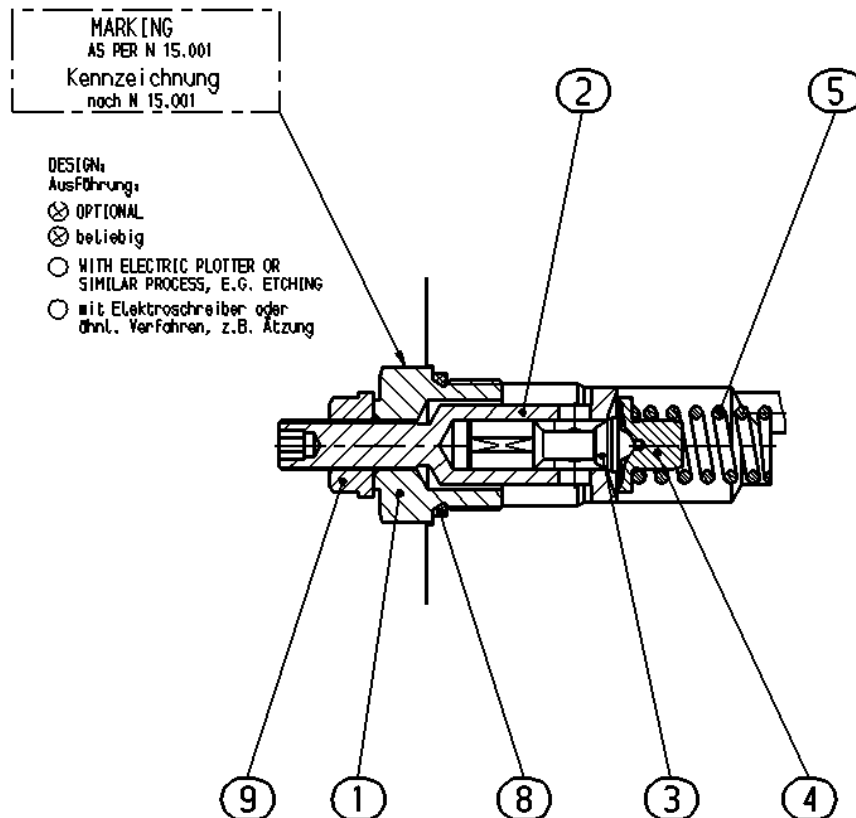
Spare parts list

Product Unit
Axial Piston Units

Part No.: R909434856

Designation: PRESSURE RELIEF VALVE

Drawing no.: R909730913



Spare parts list

Product Unit
Axial Piston Units

Part No.: R909437363

Designation: PRESSURE OVERRIDE VALVE

Drawing no.: R909731051

Pos.	Part No.	Designation	Quantity	
1	R909436569	LOCKING SCREW	1 ST	
2	R909436553	VALVE BUSHING	1 ST	
3	R909432162	CONTROL PISTON	1 ST	
4	R909432163	PISTON	1 ST	
5	R909432164	VALVE PISTON	1 ST	
6	R909436284	POPPET SEAT	1 ST	
7	R902009402	PRESSURE SPRING	1 ST	
8	R902043092	SPRING COLLAR	2 ST	
9	R909432167	ADJUSTING SCREW	1 ST	
10	R909083752	O-RING	1 ST	D
14	R909152707	SEAL LOCK NUT	1 ST	D
15	R909086380	O-RING	1 ST	D

Spare parts list

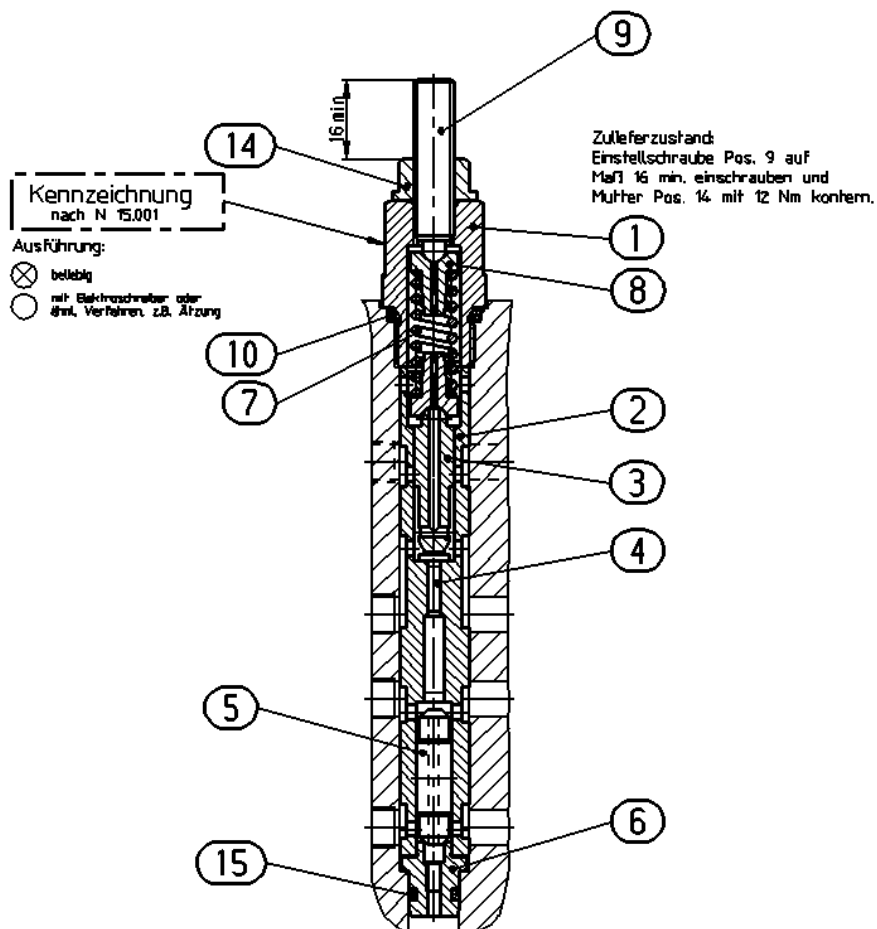
Product Unit
Axial Piston Units

Part No.: R909437363

Designation: PRESSURE OVERRIDE VALVE

Drawing no.: R909731051

Zum Blockieren der Druckabschneidung beim Überprüfen der Hochdruckventile die Einstellschraube Pos. 9 mit gelöster Kontermutter Pos. 14 bis zum Anschlag mit max. 2Nm im drucklosen Zustand eindrehen !



Spare parts list

Product Unit
Axial Piston Units

Part No.: R902400581

Designation: FLANGE COVER

Drawing no.: R902400643

Pos.	Part No.	Designation	Quantity
1	R902460159	FLANGE COVER	1 ST
2	R902400639	SECHSKANTSCHRAUBE	4 ST

Spare parts list

Product Unit
Axial Piston Units

Part No.: R902400581

Designation: FLANGE COVER

Drawing no.: R902400643

Pos.	Part No.	Designation	Quantity
1	R902460159	FLANGE COVER	1 ST
2	R902400639	SECHSKANTSCHRAUBE	4 ST

Spare parts list

Product Unit
Axial Piston Units

Part No.: R902080109

Designation: PUMP SUPPORT PLATE

Drawing no.: R902080104

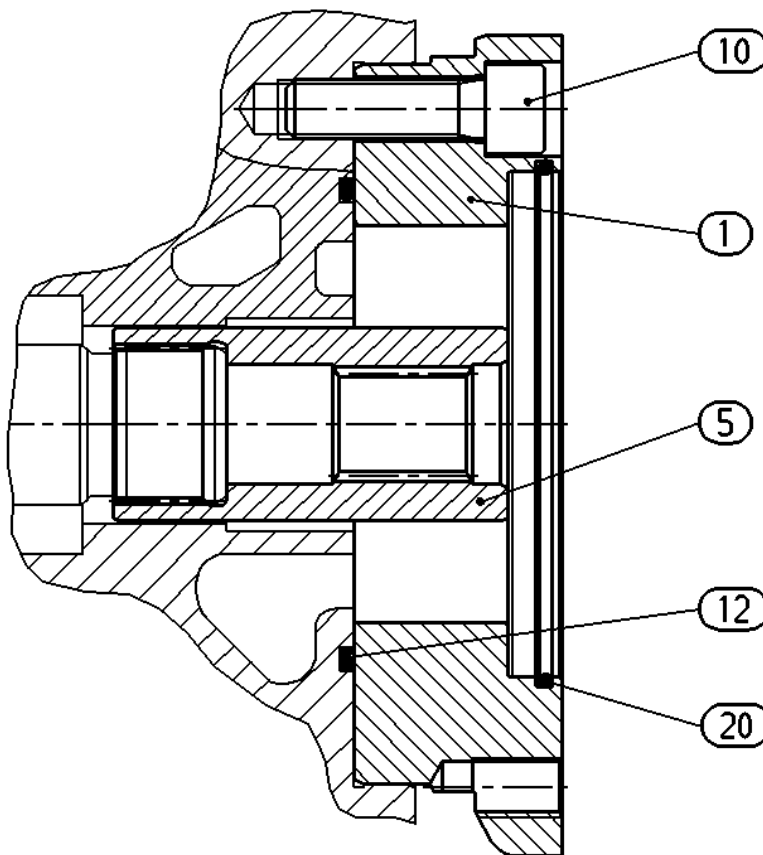
Pos.	Part No.	Designation	Quantity	
1	R902080110	INTERMEDIATE FLANGE	1 ST	
5	R902083676	THROUGH DRIVE COUPLING	1 ST	
10	R909083091	SOCKET-HEAD SCREW	4 ST	
12	R909083825	O-RING	1 ST	D
20	R909086823	O-RING	1 ST	D

Spare parts list

Part No.: R902080109

Designation: PUMP SUPPORT PLATE

Drawing no.: R902080104



Spare parts list

Product Unit
Axial Piston Units

Part No.: R902096405

Designation: CONTROL MODULE

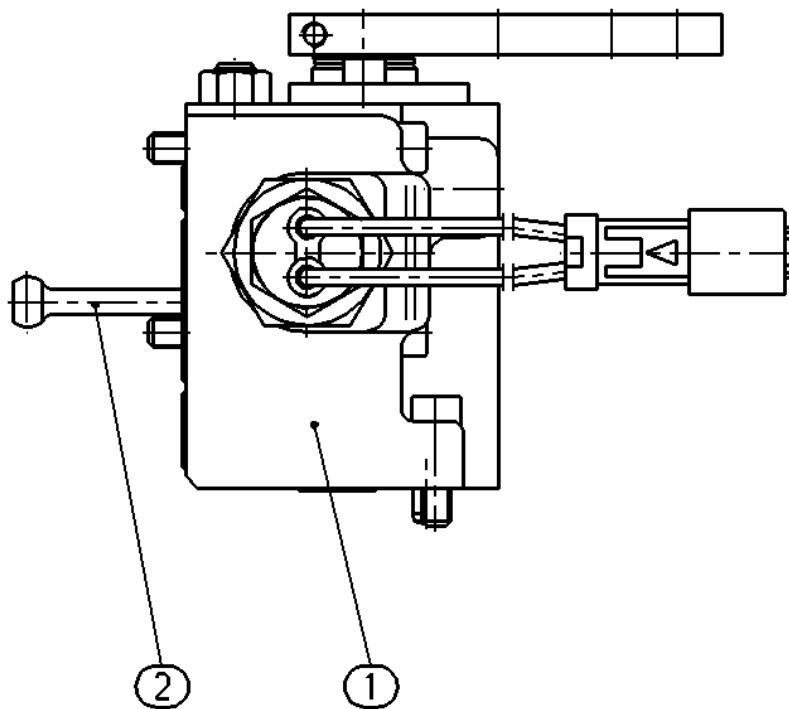
Drawing no.: R902096385

Pos.	Part No.	Designation	Quantity	
1	R902096400	CONTROL MODULE	1 ST	L
2	R902008032	FEEDBACK LEVER	1 ST	

Spare parts list

Part No.: R902096405

Designation: CONTROL MODULE



Spare parts list

Product Unit
Axial Piston Units

Part No.: R902096400

Designation: CONTROL MODULE

Drawing no.: R902022010

Pos.	Part No.	Designation	Quantity	
1	R902041466	HOUSING	1 ST	
2	R902027797	CONTROL BUSH	1 ST	
3	R902076994	CONTROL SHAFT	1 ST	
4	R909650254	SPRING BUSH	1 ST	
5	R909421991	PRESSURE SPRING	1 ST	
6	R909426570	ECCENTRIC PIN	1 ST	
7	R902076996	COVER	1 ST	
8	R902033811	RING	1 ST	
9	R909400523	LEVER	1 ST	
10	R902070223	THREADED PIPE	1 ST	
11	R902013833	SEAL BUSH	1 ST	
12	R909083028	SOCKET-HEAD SCREW	4 ST	
13	R909083021	SOCKET-HEAD SCREW	2 ST	
14	R909083012	SOCKET-HEAD SCREW	1 ST	
15	R909083008	SOCKET-HEAD SCREW	2 ST	D
16	R909152707	SEAL LOCK NUT	1 ST	D
17	R902600641	O-RING	1 ST	D
18	R909086250	O-RING	1 ST	D
19	R909083757	O-RING	1 ST	D
20	R909086333	O-RING	2 ST	D
21	R909086178	O-RING	2 ST	D
22	R909085709	O-RING	3 ST	
23	R909086380	O-RING	1 ST	D
24	R902601236	PLUG	2 ST	
25	R909831318	DOUBLE BREAK-OFF PIN	1 ST	D
27	R909153380	SHIM	1 ST	
28	R909830413	NEEDLE ROLLER	1 ST	
29	R909087338	CYLINDER PIN	1 ST	
30	R902600705	PLUG	1 ST	
33	R909086301	O-RING	1 ST	D
34	R909830212	HEXAGON NUT	1 ST	D
35	R902602942	BALL SWITCH	1 ST	
36	R902021496	SPRING COLLAR	1 ST	
37	R902013929	SPRING CAGE	1 ST	
38	R902013832	STOP PIN	1 ST	
39	R909412852	PRESSURE SPRING	1 ST	

L = Assembly group D = Sealing element

Page: 24

Date: 19.03.2008

Spare parts list

Product Unit
Axial Piston Units

Part No.: R902096400

Designation: CONTROL MODULE

Drawing no.: R902022010

